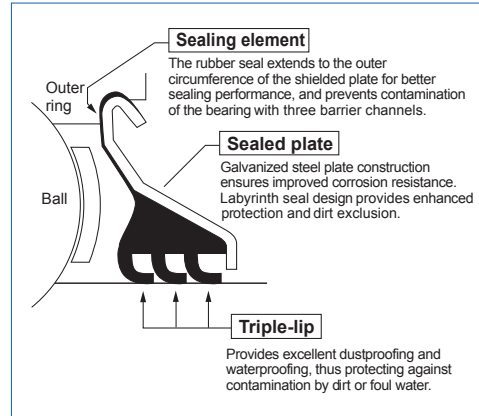
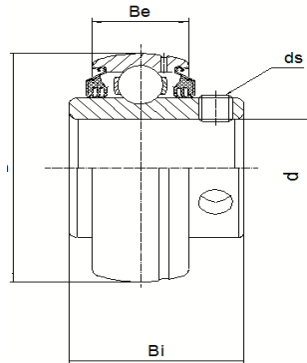




# CORROSION RESISTANT PRODUCTS

## TRIPLE-LIP SEAL BLACK OXIDE INSERT BEARINGS Dual Set Screw Locking



Insert Part No.	Shaft Diameter	Dimensions inch / mm				Basic Load Ratings lbf / N	
	inch	D	Bi	Be	ds	dynamic C	static Co
UC204-12R3BO	3/4	1.85039 47	1-1/4 31	5/8 16	1/4-28unf	2900 12890	1460 6490
UC205-16R3BO	1	2.04724 52	1-11/32 34	21/32 17	1/4-28unf	3150 14000	1700 7560
UC206-19R3BO	1-3/16	2.44094 62	1-1/2 38.1	3/4 19	1/4-28unf	4390 19510	2510 11160
UC206-20R3BO	1-1/4S	2.44094 62	1-1/2 38.1	3/4 19	1/4-28unf	5770 19510	2510 11160
UC207-20R3BO	1-1/4	2.83465 72	1-11/16 42.9	25/32 20	5/16-24unf	5770 25640	3450 15330
UC207-22R3BO	1-3/8	2.83465 72	1-11/16 42.9	25/32 20	5/16-24unf	5770 25640	3450 15330
UC207-23R3BO	1-7/16	2.83465 72	1-11/16 42.9	25/32 20	5/16-24unf	5770 25640	3450 15330
UC208-24R3BO	1-1/2	3.14961 80	1-15/16 49.2	13/16 21	5/16-24unf	6500 28890	3850 17110
UC209-28R3BO	1-3/4	3.34646 85	1-15/16 49.2	7/8 22	5/16-24unf	7350 32670	4100 18220
UC210-31R3BO	1-15/16	3.54331 90	2-1/32 51.6	15/16 24	3/8-24unf	7900 35120	4690 20850
UC210-32R3BO	2S	3.54331 90	2-1/32 51.6	15/16 24	3/8-24unf	7900 35120	4690 20850
UC211-32R3BO	2	3.93701 100	2-3/16 55.6	31/32 25	3/8-24unf	9750 43340	5850 26000
UC211-35R3BO	2-3/16	3.93701 100	2-3/16 55.6	31/32 25	3/8-24unf	9750 43340	5850 26000
UC212-36R3BO	2-1/4	4.33071 110	2-9/16 65.1	1-1/16 27	3/8-24unf	11500 51120	7100 36000
UC212-39R3BO	2-7/16	4.33071 110	2-9/16 65.1	1-1/16 27	3/8-24unf	11500 51120	7100 36000