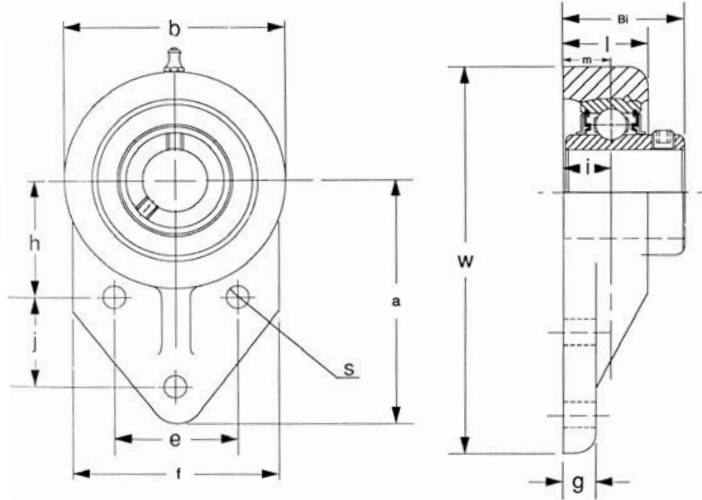




BEARING UNITS



THREE BOLT FLANGE BRACKET UNITS -Metric Bolt Hole Spacing UCFK 200 Series Normal Duty Set Screw Locking



Unit No.	Shaft Dia. In. mm	Dimensions inch / mm													Bolt Size	Bearing No.	Housing No.	Weight lbs kg
		w	h	e	j	i	g	l	s	b	f	z	Bi	n				
UCFK 201-8 202-10 204	1/2 5/8 20	4-11/32 110	1-21/32 42	1-1/4 32	1-1/16 27	19/32 15	1/2 13	1 25.5	13/32 10	2-7/16 62	2-1/16 52	1-5/16 33.3	1.220 31	0.500 12.7	5/16 M8	UC 201-8 202-10 204 204-12	FK 204	1.32 0.60
UCFK 205 205-14 205-15 205-16	7/8 15/16 1	4-9/16 116	1-25/32 45	1-11/32 34	1-1/16 27	5/8 16	1/2 13	1-1/16 27	13/32 10	2-11/16 68	2-7/32 56	1-13/32 35.7	1.339 34	0.563 14.3	5/16 M8	UC 205 205-14 205-15 205-16	FK 205	1.45 0.66
UCFK 206 206-17 206-18 206-19 206-20	1-1/16 1-1/8 1-3/16 1-1/4S	5-1/8 130	1-31/32 50	1-9/16 40	1-3/16 29	23/32 18	1/2 13	1-1/4 31	13/32 10	3-5/64 78	2-9/16 65	1-37/64 40.2	1.500 38.1	0.626 15.9	5/16 M8	UC 206 206-17 206-18 206-19 206-20	FK 206	2.05 0.93
UCFK 207 207-20 207-21 207-22 207-23	1-1/4 1-5/16 1-3/8 1-7/16	5-11/16 144	2-11/64 55	1-13/16 46	1-1/4 32	3/4 19	19/32 15	1-11/32 34	13/32 10	3-35/64 90	2-3/4 70	1-3/4 44.4	1.689 42.9	0.689 17.5	5/16 M8	UC 207 207-20 207-21 207-22 207-23	FK 207	2.86 1.3
UCFK 208 208-24 208-25	1-1/2 1-9/16	6-7/16 164	2-3/8 60	1-31/32 50	1-5/8 41	13/16 21	5/8 16	1-13/32 36	15/32 12	3-15/16 100	3-5/64 78	2-1/64 51.2	1.937 49.2	0.748 19	3/8 M10	UC 208 208-24 208-25	FK 208	3.74 1.7
UCFK 209 209-26 209-27 209-28	1-5/8 1-11/16 1-3/4	6-27/32 174	2-9/16 65	2-1/8 54	1-11/16 43	7/8 22	23/32 18	1-1/2 38	15/32 12	4-11/64 106	3-5/32 80	2-1/16 52.2	1.937 49.2	0.748 19	3/8 M10	UC 209 209-26 209-27 209-28	FK 209	4.18 1.9
UCFK 210 210-30 210-31 210-32	1-7/8 1-15/16 2S	7-1/4 184	2-11/16 68	2-9/32 58	1-13/16 46	7/8 22	23/32 18	1-9/16 40	15/32 12	4-13/32 112	3-25/64 86	2-5/32 54.6	2.031 51.6	0.748 19	3/8 M10	UC 210 210-30 210-31 210-32	FK 210	4.84 2.2