

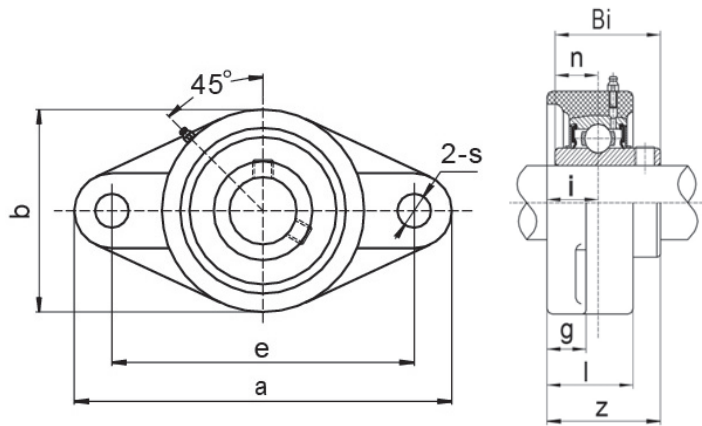


# CORROSION RESISTANT PRODUCTS



## STAINLESS STEEL TWO BOLT FLANGE - Stainless Steel Insert SSUCFL 200 Series

Solid Base  
Normal Duty  
Set Screw Locking



Unit No.	Shaft Dia.		Dimensions inch / mm										Bolt Size	Bearing No.	Housing No.	Weight Lbs kg		
	In.	mm	a	e	b	g	l	s	z	i	Bi	n						
<b>SSUCFL201-8</b>	1/2																	
202-10	5/8		4-13/32	3-17/32	2-23/64	29/64	1	25/64	1-5/16	19/32	1.221	0.500	3/8	SSUC201-8				
204		20	112	89.7	60	11.5	25.4	10	33.4	15.1	31.0	12.7		204	SSFL204	1.10	0.50	
204-12	3/4													204-12				
<b>SSUCFL205</b>		25												SSUC205				
205-14	7/8		4-59/64	3-57/64	2-11/16	1/2	1-1/16	15/32	1-13/32	5/8	1.343	0.563	3/8	205-14	SSFL205	1.408		
205-15	15/16		125	98.8	68	13	27	12	35.7	15.9	34.1	14.3		205-15		0.64		
205-16	1													205-16				
<b>SSUCFL206</b>		30												SSUC206				
206-17	1-1/16													206-17				
206-18	1-1/8		5-35/64	4-19/32	3-5/32	1/2	1-3/16	15/32	1-37/64	45/64	1.500	0.626	3/8	206-18	SSFL206	1.98		
206-19	1-3/16		141	116.7	80.0	13	30	12	40.1	17.9	38.1	15.9		206-19		0.90		
206-20	1-1/4S													206-20				
<b>SSUCFL207</b>		35												SSUC207				
207-20	1-1/4													207-20				
207-21	1-5/16		6-1/8	5-1/8	3-35/64	9/16	1-19/64	1/2	1-3/4	3/4	1.689	0.689	7/16	207-21	SSFL207	2.64		
207-22	1-3/8		155.5	130.2	90.0	14.3	33	13	44.5	19.1	42.9	17.5		207-22		1.22		
207-23	1-7/16													207-23				
<b>SSUCFL208</b>		40												SSUC208				
208-24	1-1/2		6-3/4	5-21/32	3-15/16	9/16	1-27/64	1/2	2-1/64	13/16	1.689	0.748	7/16	208-24	SSFL208	3.59	1.63	
			171.5	143.7	100	14.3	36	13	51.2	21	49.2	19.0						
<b>SSUCFL209</b>		45												SSUC209				
209-26	1-5/8		7-3/64	5-27/32	4-1/4	9/16	1-1/2	19/32	2-3/64	55/64	1.937	0.748	5/8	209-26	SSFL209	4.05		
209-27	1-11/16		179	148.4	108	14.3	38	15	52	21.8	49.2	19.0		209-27		1.84		
209-28	1-3/4													209-28				
<b>SSUCFL210</b>		50												SSUC210				
210-30	1-7/8		7-7/16	6-3/16	4-17/32	19/32	1-17/32	19/32	2-9/64	55/64	2.032	0.748	5/8	210-30	SSFL210	4.75		
210-31	1-15/16		189	157	115	15.1	39	15	54.4	21.8	51.6	19.0		210-31		2.16		
210-32	2S													210-32				