

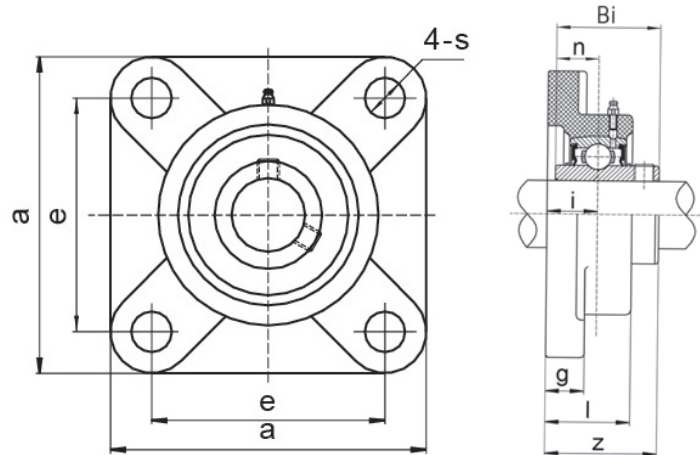


# CORROSION RESISTANT PRODUCTS



## THERMOPLASTIC FOUR BOLT FLANGE - Stainless Steel Insert SSUCTPF 200 Series

Solid Base  
Normal Duty  
Set Screw Locking



Unit No.	Shaft Dia.		Dimensions inch / mm									Bolt Size	Bearing No.	Housing No.	Weight Lbs kg
	In.	mm	a	e	g	l	s	z	i	Bi	n				
<b>SSUCTPF201-8</b>	1/2												SSUC201-8		
202-10	5/8		3-3/8	2-1/2	17/32	1-3/32	7/16	1-23/64	41/64	1.221	0.500	3/8	202-10	TPF204	0.66
204		20	86	63.5	13.4	27.8	11	34.6	16.3	31.0	12.7		204		0.30
204-12	3/4												204-12		
<b>SSUCTPF205</b>		25											SSUC205		
205-14	7/8		3-3/4	2-3/4	9/16	1-1/8	7/16	1-7/16	21/32	1.339	0.563	3/8	205-14	TPF205	0.77
205-15	15/16		95	70	14.3	28.5	11	36.7	17	34.0	14.3		205-15		0.35
205-16	1												205-16		
<b>SSUCTPF206</b>		30											SSUC206		
206-17	1-1/16												206-17		
206-18	1-1/8		4-7/32	3-9/32	0.563	1-1/4	7/16	1-5/8	3/4	1.500	0.626	3/8	206-18	TPF206	1.12
206-19	1-3/16		107	83	14.3	31.5	11	41.2	19	38.1	15.9		206-19		0.51
206-20	1-1/4S												206-20		
<b>SSUCTPF207</b>		35											SSUC207		
207-20	1-1/4												207-20		
207-21	1-5/16		4-21/32	3-5/8	39/64	1-23/64	1/2	1-27/32	27/32	1.689	0.689	7/16	207-21	TPF207	1.61
207-22	1-3/8		164	130	15.5	32	13	44.4	19	42.9	17.5		207-22		0.73
207-23	1-7/16												207-23		
<b>SSUCTPF208</b>		40											SSUC208		
208-24	1-1/2		5-1/8	4-1/64	21/32	1-7/16	9/16	2-3/32	29/32	1.689	0.748	1/2	208-24	TPF208	2.22
			130	102	17	36.5	14	53.2	23	49.2	19.0				1.01
<b>SSUCTPF209</b>		45											SSUC209		
209-26	1-5/8		5-15/32	4-1/8	3/4	1-5/8	21/32	2-1/8	15/16	1.937	0.748	1/2	209-26	TPF209	2.60
209-27	1-11/16		137	105	19	41.0	17	54.2	24	49.2	19.0		209-27		1.18
209-28	1-3/4												209-28		
<b>SSUCTPF210</b>		50											SSUC210		
210-30	1-7/8		5-5/8	4-3/8	13/16	1-11/16	21/32	2-17/64	31/32	2.032	0.748	1/2	210-30	TPF210	2.86
210-31	1-15/16		197	157	21.0	43.0	17	57.6	25	51.6	19.0		210-31		1.30
210-32	2S												210-32		