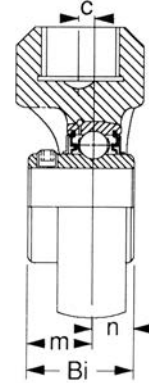
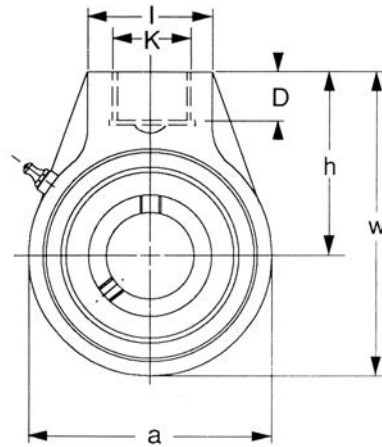




BEARING UNITS



HANGER UNITS - NPSM Female Thread
UCHA 200 Series
 Normal Duty
 Set Screw Locking



Unit No.	Shaft Dia.		Dimensions inch / mm										Bearing No.	Housing No.	Weight Lbs kg
	In.	mm	a	w	c	h	l	D	K	Bi	n	m			
UCHA 201-8	1/2												UC 201-8		
202-10	5/8		2-33/64	3-25/32	0	2-33/64	1-9/16	3/4	NPSM-3/4	1.220	0.500	23/32	202-10	HA204	1.54 0.7
204		20	64.3	96		63.9	39.7	19.1		31.0	12.7	18.3	204		
204-12	3/4												204-12		
UCHA 205		25											UC 205		
205-14	7/8		3-1/16	4-5/64	0	2-33/64	1-9/16	3/4	NPSM-3/4	1.339	0.563	25/32	205-14	HA205	2.20 1.0
205-15	15/16		77.8	103.2		63.9	39.7	19.1		34.0	14.3	19.7	205-15		
205-16	1												205-16		
UCHA 206		30											UC 206		
206-17	1-1/16		3-1/16	4-5/64	0	2-33/64	1-9/16	3/4	NPSM-3/4	1.500	0.626	7/8	206-17	HA206	2.20 1.0
206-18	1-1/8		77.8	103.2		63.9	39.7	19.1		38.1	15.9	22.2	206-18		
206-19	1-3/16												206-19		
206-20	1-1/4S												206-20		
UCHA 207		35											UC 207		
207-20	1-1/4		3-5/8	4-9/16	0	2-3/4	1-9/16	3/4	NPSM-3/4	1.689	0.689	1	207-20	HA207	3.08 1.4
207-21	1-5/16		92.1	115.9		69.9	39.7	19.1		42.9	17.5	25.4	207-21		
207-22	1-3/8												207-22		
207-23	1-7/16												207-23		
UCHA 208		40											UC 208		
208-24	1-1/2		3-25/32	4-3/4	0.079	2-7/8	1-9/16	3/4	NPSM-3/4	1.937	0.748	1-3/16	208-24	HA208	3.30 1.5
208-25	1-9/16		96.0	120.7	2.0	73.0	39.7	19.1		49.2	19.0	30.2	208-25		
UCHA 209		45											UC 209		
209-26	1-5/8		4-1/4	5-11/32	0.205	3-1/4	1-7/8	13/16	NPSM-1	1.937	0.748	1-3/16	209-26	HA209	4.62 2.1
209-27	1-11/16		108.0	135.7	5.2	82.2	47.6	20.6		49.2	19.0	30.2	209-27		
209-28	1-3/4												209-28		
UCHA 210		50											UC 210		
210-30	1-7/8		4-21/32	5-11/32	0.205	3-9/32	1-7/8	13/16	NPSM-1	2.031	0.748	1-9/32	210-30	HA210	5.72 2.6
210-31	1-15/16		118.3	142.1	5.2	82.9	47.6	20.6		51.6	19.0	32.6	210-31		
210-32	2												210-32		

K - National Straight Pipe Thread