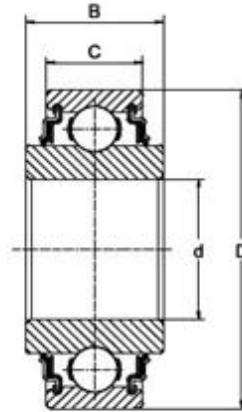




AGRICULTURAL BEARINGS

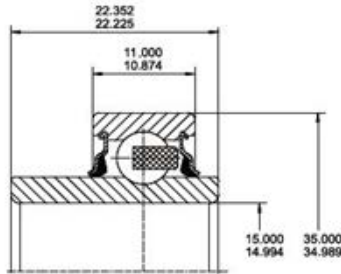


BALL BEARINGS Special Sizes

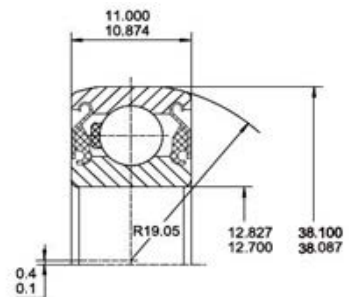


Type 1

Agricultural / Special Application Ball Bearings					
Round Bore - Cylindrical OD					
	Bore 'd' Inch / mm	Outside Diameter 'D' Inch / mm	Inner Ring Width 'B' Inch / mm	Outer Ring Width 'C' Inch / mm	Special Features
203KRR5	0.515 13.081	1.5748 40	0.720 18.29	0.4724 12	Cylindrical OD, extended inner ring, metal shroud seal
203KRR2	0.640 16.256	1.5748 40	0.720 18.29	0.4724 12	Cylindrical OD, extended inner ring, metal shroud seal



202RRE



202NPP9

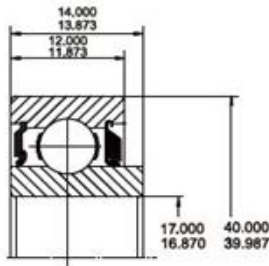
Agricultural / Special Application Ball Bearings					
Round Bore - Cylindrical OD					
	Bore 'd' Inch / mm	Outside Diameter 'D' Inch / mm	Inner Ring Width 'B' Inch / mm	Outer Ring Width 'C' Inch / mm	Special Features
202RRE	0.5906 15	1.3875 35	0.880 22.352	0.4331 11	Cylindrical OD, Metric bore, extended inner ring, metal shroud trash seals
202NPP9	0.505 12.827	1.500 38.10	0.4331 11	0.4331 11	Cylindrical OD, .750" corner radius, metal shroud trash seals



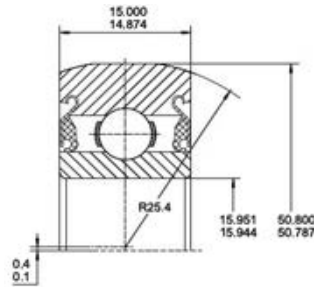
AGRICULTURAL BEARINGS



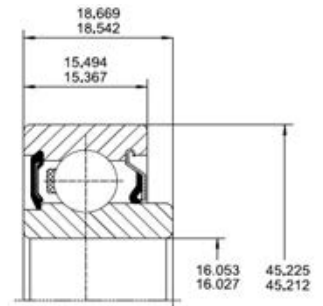
BALL BEARINGS Special Sizes



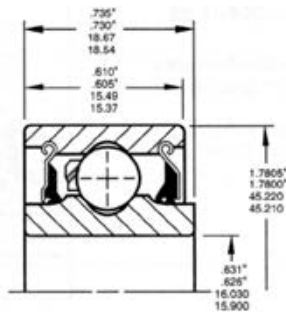
203JD



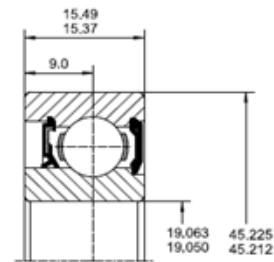
203KRR3



204-FREN



204RY2



Z9504AB

Agricultural / Special Application Ball Bearings					
Round Bore - Cylindrical OD					
	Bore 'd' Inch / mm	Outside Diameter 'D' Inch / mm	Inner Ring Width 'B' Inch / mm	Outer Ring Width 'C' Inch / mm	Special Features
203JD	0.6693 17	1.5748 40	0.5512 14	0.4724 12	Cylindrical OD, Metric bore, extended inner ring one side, metal shroud trash seal
203KRR3	0.628 15.951	2.00 50.80	0.5905 15	0.5905 15	Cylindrical OD, 1" corner radius, metal shroud trash seals
204-FREN	0.632 16.053	1.780 45.212	0.735 18.669	0.610 15.494	Cylindrical special OD, wide inner ring, 1 land riding seal, 1 metal shroud excluder seal
204RY2	0.631 16.027	1.7805 45.225	0.735 18.669	0.610 15.494	Cylindrical OD, Gothic arch race, Double-lip trash seal extended one side, single-lip trash seal opposite
Z9504-AB	0.750 19.05	1.7805 45.225	0.610 15.494	0.610 15.494	Similar to 6204-2RS with 3/4" bore, .6100" width, Gothic arch race, metal backed rubber seals
Z9504-RST	0.750 19.05	1.7805 45.225	0.610 15.494	0.610 15.494	Similar to 6204-2RS with 3/4" bore, .6100" width, Gothic arch race, metal shroud trash seals

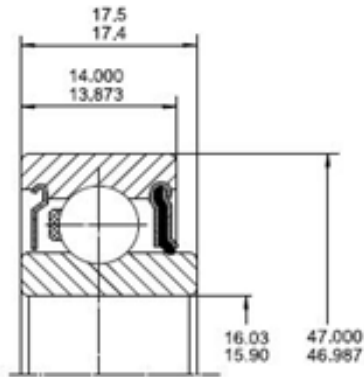


AGRICULTURAL BEARINGS

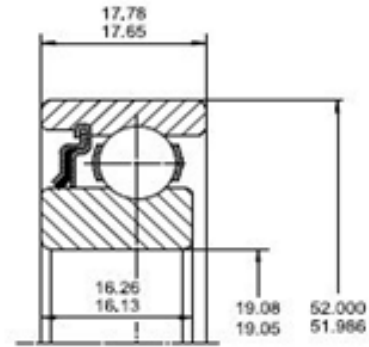


BALL BEARINGS

Special Sizes

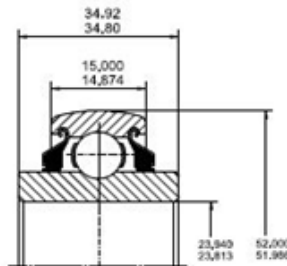


204KRD4



205KR3

Agricultural / Special Application Ball Bearings					
Round Bore - Cylindrical					
	Bore 'd' <i>Inch / mm</i>	Outside Diameter 'D' <i>Inch / mm</i>	Inner Ring Width 'B' <i>Inch / mm</i>	Outer Ring Width 'C' <i>Inch / mm</i>	Special Features
204KRD4	0.630 16	1.850 47	0.689 17.50	0.5512 14	Cylindrical OD, Metric bore, single-lip trash seal extended one side, metal shield opposite
205KR3	0.751 19.075	2.0472 52	0.640 16.256	0.700 17.78	Cylindrical OD, extended outer ring with one open side, single metal shroud trash seal opposite



205PPB7

Agricultural / Special Application Ball Bearings					
Round Bore - Spherical					
205PPB7	0.9375 23.813	2.0472 52	1.378 35	0.5905 15	Spherical OD, extended inner ring both sides, triple-lip metal shroud seals both sides