

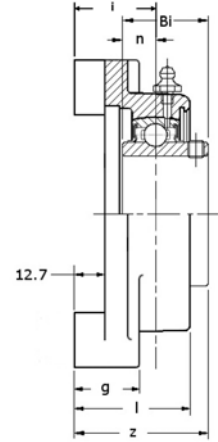
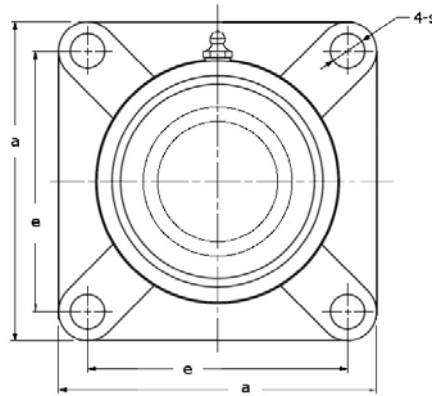


CORROSION RESISTANT PRODUCTS



STAINLESS STEEL FOUR BOLT FLANGE STAND-OUT - Stainless Steel Insert SSUCFSO 200 Series

Solid Base
Normal Duty
Set Screw Locking



Unit No.	Shaft Dia.		Dimensions inch / mm								Bolt Size	Bearing No.	Housing No.	Weight Lbs kg	
	In.	mm	a	e	g	l	s	z	i	BI					n
SSUCFSO207		35											SSUC207		
207-20	1-1/4												207-20		
207-21	1-5/16		4-5/8	3-5/8	1-7/32	2-3/64	33/64	2-1/2	1-1/2	1.689	0.689	7/16	207-21	SSFSO207	4.30
207-22	1-3/8		117.5	92	31	52.2	13.1	63.7	38.2	42.9	17.5		207-22		1.95
207-23	1-7/16												207-23		
SSUCFSO208		40											SSUC208		
208-24	1-1/2		5-1/8	4	1-7/32	2-9/64	9/16	2-47/64	1-9/16	1.689	0.748	7/16	208-24	SSFSO208	5.45
			130	101.6	31	54.2	14	69.4	39.7	49.2	19.0				2.47