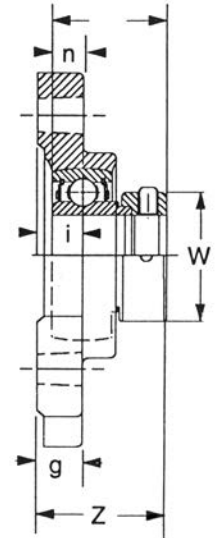
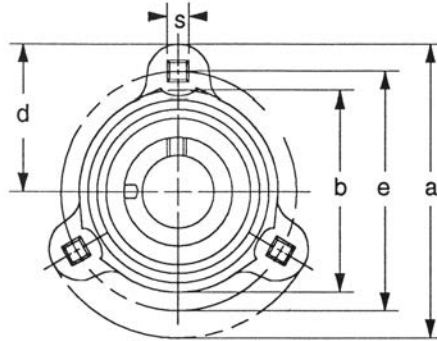




BEARING UNITS



TRIANGLE FLANGE UNITS - Ductile Iron
SARFT 200 Series
 Light Duty
 Eccentric Collar Locking
 Square Bolt Holes



Unit No.	Shaft Dia.		Dimensions inch / mm										Bolt Size	Bearing No.	Housing No.	Weight Lbs / kg	
	In.	mm	a	e	i	b	d	g	s	z	Bi	n					W
SARFT 204 204-12	3/4	20	3-9/16 90.5	2-13/16 71.4	7/16 11.1	2-13/64 55.9	1-3/4 45.2	7/16 11.1	11/32 8.7	1-3/8 35	1.220 31	0.276 7	1-1/4 32.0	5/16 M8	SA 204 204-12	RFT204	0.81 0.37
SARFT 205 205-14 205-15 205-16	7/8 15/16 1	25	3-3/4 95.3	3 76.2	7/16 11.1	2-13/16 71.4	1-7/8 47.6	1/2 12.7	11/32 8.7	1-23/64 34.6	1.220 31	0.295 7.5	1-1/2 38.1	5/16 M8	SA 205 205-14 205-15 205-16	RFT205	1.06 0.48
SARFT 206 206-17 206-18 206-19 206-20	1-1/16 1-1/8 1-3/16 1-1/4S	30	4-9/16 115.9	3-9/16 90.5	7/16 11.1	3 76.2	2-9/32 57.9	19/32 15.1	13/32 10.3	1-17/32 38.8	1.406 35.7	0.315 8	1-3/4 44.5	3/8 M10	SA 206 206-17 206-18 206-19 206-20	RFT206	1.54 0.70
SARFT 207 207-20 207-21 207-22 207-23	1-1/4 1-5/16 1-3/8 1-7/16	35	4-13/16 122.2	3-15/16 100	1/2 12.7	3-15/32 88.1	2-13/32 61.1	19/32 15.1	13/32 10.3	1-45/64 43.1	1.531 38.9	0.335 8.5	2-3/16 55.6	3/8 M10	SA 207 207-20 207-21 207-22 207-23	RFT207	2.00 0.91