

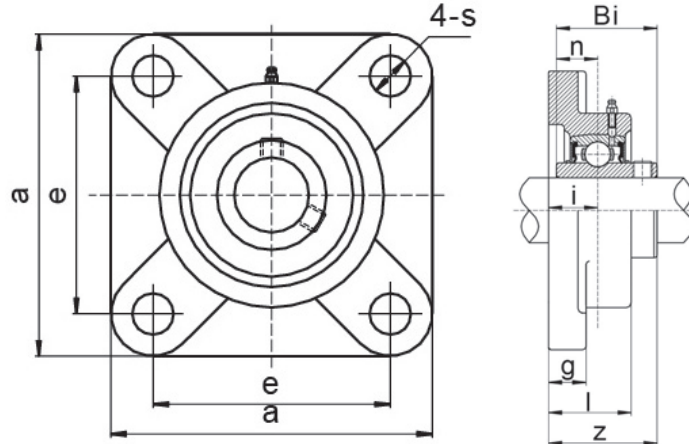


CORROSION RESISTANT PRODUCTS



STAINLESS STEEL FOUR BOLT FLANGE - Stainless Steel Insert SSUCF 200 Series

Solid Base
Normal Duty
Set Screw Locking



Unit No.	Shaft Dia.		Dimensions inch / mm									Bolt Size	Bearing No.	Housing No.	Weight Lbs kg			
	In.	mm	a	e	g	l	s	z	i	Bi	n							
SSUCF201-8	1/2																	
202-10	5/8		3-3/8	2-1/2	15/32	1	7/16	1-5/16	19/32	1.221	0.500	3/8	SSUC201-8					
204		20	86	63.5	12	25.4	11	33.4	15.1	31.0	12.7		202-10	SSF204		1.42	0.645	
204-12	3/4													204				
														204-12				
SSUCF205		25											SSUC205					
205-14	7/8		3-3/4	2-3/4	9/16	1-1/16	29/64	1-13/32	5/8	1.343	0.563	3/8	205-14	SSF205		1.87		
205-15	15/16		95	70	14.0	27	11.5	35.7	15.9	34.1	14.3		205-15			0.85		
205-16	1												205-16					
SSUCF206		30											SSUC206					
206-17	1-1/16												206-17					
206-18	1-1/8		4-1/4	3-1/4	9/16	1-3/16	33/64	1-37/64	45/64	1.500	0.626	3/8	206-18	SSF206		2.57		
206-19	1-3/16		108	82.5	14	30	13.1	40.1	17.9	38.1	15.9		206-19			1.17		
206-20	1-1/4S												206-20					
SSUCF207		35											SSUC207					
207-20	1-1/4												207-20					
207-21	1-5/16		4-5/8	3-5/8	9/16	1-19/64	33/64	1-3/4	3/4	1.689	0.689	7/16	207-21	SSF207		3.32		
207-22	1-3/8		117.5	92	14.3	33	13.1	44.5	19.1	42.9	17.5		207-22			1.51		
207-23	1-7/16												207-23					
SSUCF208		40											SSUC208					
208-24	1-1/2		5-1/8	4	9/16	1-27/64	9/16	2-1/64	13/16	1.689	0.748	7/16	208-24	SSF208		4.44	2.02	
			130	101.6	14.3	36	14	51.2	21	49.2	19.0							
SSUCF209		45											SSUC209					
209-26	1-5/8		5-15/32	4-1/8	9/16	1-1/2	5/8	2-3/64	55/64	1.937	0.748	5/8	209-26	SSF209		4.80		
209-27	1-11/16		137	104.8	14.3	38	16	52	21.8	49.2	19.0		209-27			2.18		
209-28	1-3/4												209-28					
SSUCF210		50											SSUC210					
210-30	1-7/8		5-5/8	4-3/8	19/32	1-17/32	5/8	2-9/64	55/64	2.032	0.748	5/8	210-30	SSF210		5.35		
210-31	1-15/16		143	111	15.1	39	16	54.4	21.8	51.6	19.0		210-31			2.43		
210-32	2S												210-32					
SSUCF211		55											SSUC211					
211-32	2		6-3/8	5-1/8	23/32	1-11/16	43/64	2-5/16	7/8	2.189	0.874	5/8	211-32	SSF211		8.10	3.67	
			162	130.2	18.3	42.9	17.1	58.7	25	55.6	22.2							