

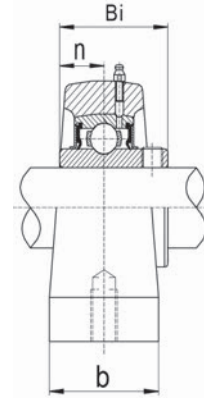
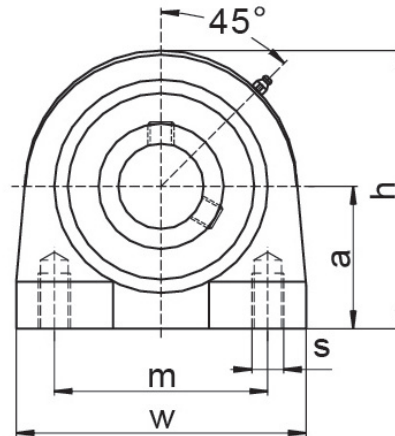


CORROSION RESISTANT PRODUCTS



STAINLESS STEEL TAP BASE PILLOW BLOCK - Stainless Steel Insert SSUCA 200 Series

Normal Duty
Set Screw Locking
Inch Bolt Holes



| Unit No. | Shaft Dia. | | Dimensions inch / mm | | | | | | | | Bearing No. | Housing No. | Weight Lbs kg | |
|-------------------|------------|----|----------------------|---------|---------|-------|---------|---------|-------|-------|-------------|-------------|---------------------|-------|
| | In. | mm | a | b | h | m | w | s | Bi | n | | | | |
| SSUCA201-8 | 1/2 | | | | | | | | | | | SSUC201-8 | | |
| 202-10 | 5/8 | | 1-5/16 | 1-1/2 | 2-9/16 | 2 | 2-7/8 | 3/8-16 | 1.221 | 0.500 | | 202-10 | SSPA204 | 1.54 |
| 204 | | 20 | 33.3 | 38 | 65 | 50.8 | 73 | | 31 | 12.7 | | 204 | | 0.70 |
| 204-12 | 3/4 | | | | | | | | | | | 204-12 | | |
| SSUCA205 | | 25 | | | | | | | | | | SSUC205 | | |
| 205-14 | 7/8 | | 1-7/16 | 1-1/2 | 2-51/64 | 2 | 3 | 3/8-16 | 1.343 | 0.563 | | 205-14 | SSPA205 | 1.87 |
| 205-15 | 15/16 | | 36.5 | 38 | 71 | 50.8 | 76 | | 34.1 | 14.3 | | 205-15 | | 0.85 |
| 205-16 | 1 | | | | | | | | | | | 205-16 | | |
| SSUCA206 | | 30 | | | | | | | | | | SSUC206 | | |
| 206-17 | 1-1/16 | | | | | | | | | | | 206-17 | | |
| 206-18 | 1-1/8 | | 1-11/16 | 1-1/2 | 3-25/64 | 3 | 4-1/64 | 7/16-14 | 1.500 | 0.826 | | 206-18 | SSPA206 | 2.42 |
| 206-19 | 1-3/16 | | 42.9 | 38 | 84 | 76.2 | 101 | | 38.1 | 15.9 | | 206-19 | | 1.10 |
| 206-20 | 1-1/4S | | | | | | | | | | | 206-20 | | |
| SSUCA207 | | 35 | | | | | | | | | | SSUC207 | | |
| 207-20 | 1-1/4 | | | | | | | | | | | 207-20 | | |
| 207-21 | 1-5/16 | | 1-7/8 | 1-57/64 | 3-3/4 | 3-1/4 | 4-1/4 | 1/2-13 | 1.689 | 0.689 | | 207-21 | SSPA207 | 3.146 |
| 207-22 | 1-3/8 | | 47.6 | 48 | 95.0 | 82.6 | 108 | | 42.9 | 17.5 | | 207-22 | | 1.43 |
| 207-23 | 1-7/16 | | | | | | | | | | | 207-23 | | |
| SSUCA208 | | 40 | | | | | | | | | | SSUC208 | | |
| 208-24 | 1-1/2 | | 1-15/16 | 1-57/64 | 3-15/16 | 3-1/2 | 4-39/64 | 1/2-13 | 1.689 | 0.748 | | 208-24 | SSPA208 | 3.96 |
| | | | 49.2 | 48 | 100.5 | 88.9 | 120 | | 49.2 | 19.0 | | | | 1.80 |
| SSUCA209 | | 45 | | | | | | | | | | SSUC209 | | |
| 209-26 | 1-5/8 | | 2-1/8 | 2-1/64 | 4-1/4 | 3-3/4 | 5 | 1/2-13 | 1.937 | 0.748 | | 209-26 | SSPA209 | 5.50 |
| 209-27 | 1-11/16 | | 54.0 | 51 | 108 | 95.3 | 127 | | 49.2 | 19.0 | | 209-27 | | 2.50 |
| 209-28 | 1-3/4 | | | | | | | | | | | 209-28 | | |
| SSUCA210 | | 50 | | | | | | | | | | SSUC210 | | |
| 210-30 | 1-7/8 | | 2-1/4 | 2-1/64 | 4-39/64 | 4 | 5-33/64 | 5/8-11 | 2.032 | 0.748 | | 210-30 | SSPA210 | 6.82 |
| 210-31 | 1-15/16 | | 57.2 | 51 | 117 | 101.6 | 140 | | 51.6 | 19.0 | | 210-31 | | 3.10 |
| 210-32 | 2S | | | | | | | | | | | 210-32 | | |