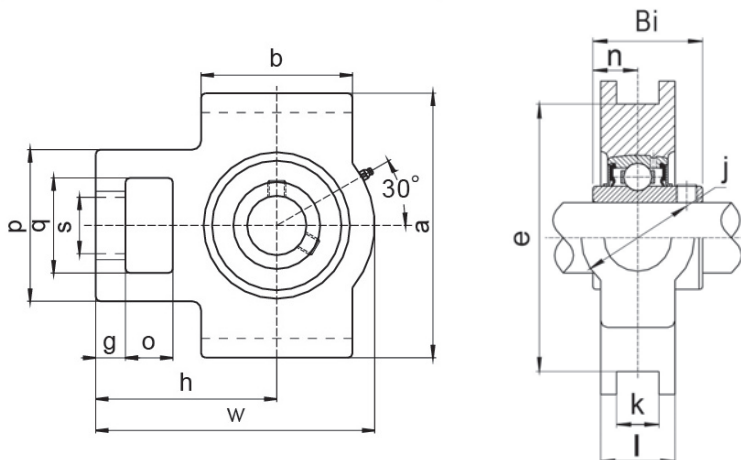




STAINLESS STEEL TAKE-UP UNIT - Stainless Steel Insert
SSUCT 200 Series

Normal Duty
 Set Screw Locking
 Metric Slot Width



Unit No.	Shaft Dia.		Dimensions inch / mm														Bearing No.	Housing No.	Weight Lbs kg	
	In.	mm	o	g	p	q	s	b	k	e	a	w	l	j	h	Bi				n
SSUCT201-8	1/2																	SSUC201-8		
202-10	5/8		5/8	13/32	2	1-1/4	3/4	2		3	3-1/2	3-11/16	13/16	1-1/4	2-13/32	1.220	0.500	202-10	SST204	2.00
204		20	16	10	51	32	19	51	12	76	89	94	21	32	61	31	12.7	204		0.91
204-12	3/4																	204-12		
SSUCT205		25																SSUC205		
205-14	7/8		5/8	13/32	2	1-1/4	3/4	2		3	3-1/2	3-13/16	15/16	1-1/4	2-7/16	1.343	0.563	205-14	SST205	2.18
205-15	15/16		16	10	51	32	19	51	12	76	89	97	24	32	62	34.1	14.3	205-15		0.99
205-16	1																	205-16		
SSUCT206		30																SSUC206		
206-17	1-1/16																	206-17		
206-18	1-1/8		5/8	13/32	2-7/32	1-29/64	7/8	2-1/4		3-1/2	4-1/64	4-7/16	1-3/32	1-29/64	2-3/4	1.500	0.626	206-18	SST206	3.21
206-19	1-3/16		16	10	56	37	22	57	12	89	102	113	28	37	70	38.1	15.9	206-19		1.46
206-20	1-1/4S																	206-20		
SSUCT207		35																SSUC207		
207-20	1-1/4																	207-20		
207-21	1-5/16		5/8	1/2	2-33/64	1-29/64	7/8	2-33/64		3-1/2	4-1/64	5-5/64	1-3/16	1-29/64	3-5/64	1.689	0.689	207-21	SST207	3.98
207-22	1-3/8		16	13	64	37	22	64	12	89	102	129	30	37	78	42.9	17.5	207-22		1.81
207-23	1-7/16																	207-23		
SSUCT208		40																SSUC208		
208-24	1-1/2		3/4	5/8	3-9/32	1-59/64	1-3/16	3-9/32		4-1/64	4-1/2	5-11/16	1-19/64	1-59/64	3-15/32	1.937	0.748	208-24	SST208	5.90
208-25	1-9/16		19	16	83	49	29	83	16	102	114	144	33	49	88	49.2	19	208-25		2.68
SSUCT209		45																SSUC209		
209-26	1-5/8		3/4	5/8	3-9/32	1-59/64	1-3/16	3-9/32		4-1/64	4-19/32	5-11/16	1-3/8	1-59/64	3-27/64	1.937	0.748	209-26	SST209	6.58
209-27	1-11/16		19	16	83	49	29	83	16	102	117	144	35	49	87	49.2	19	209-27		2.99
209-28	1-3/4																	209-28		
SSUCT210		50																SSUC210		
210-30	1-7/8		3/4	5/8	3-9/32	1-59/64	1-3/16	3-25/64		4-1/64	4-19/32	5-15/16	1-29/64	1-59/64	3-5/32	2.031	0.748	210-30	SST210	6.62
210-31	1-15/16		19	16	83	49	29	86	16	102	117	149	37	49	90	51.6	19	210-31		3.01
210-32	2S																	210-32		