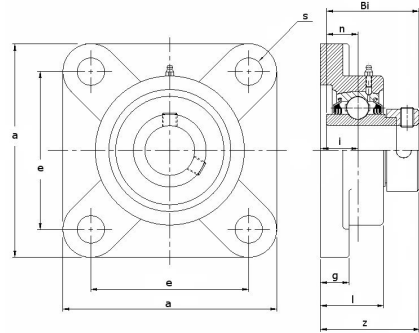




BEARING UNITS



FOUR BOLT FLANGE UNITS - R3BO Insert Bearing HCFS 200 R3BO Series Normal Duty Eccentric Collar Locking



Unit No.	Shaft Dia. In.	Dimensions inch / mm									Bolt Size	Bearing No.	Housing No.	Weight Lbs kg
		a	e	i	g	l	s	z	Bi	n				
HCFS 205-16R3BO	1	3-43/64 93	2-3/4 70	3/4 19	19/32 15	1-3/16 30	15/32 12	1-13/16 45.8	1.744 44.3	0.685 17.4	3/8 M10	HC 205-16R3BO	FS205	1.98 0.9
HCFS 206-19R3BO 206-20R3BO	1-3/16 1-1/4S	4-11/64 106	3-1/4 82.5	25/32 20	5/8 16	1-9/32 32.5	15/32 12	1-31/32 50	1.902 48.3	0.717 18.2	3/8 M10	HC 206-19R3BO 206-20R3BO	FS206	2.86 1.3
HCFS 207-20R3BO 207-22R3BO 207-23R3BO	1-1/4 1-3/8 1-7/16	4-9/16 116	3-5/8 92	13/16 21	21/32 17	1-3/8 35	9/16 14	2-7/64 53.3	2.012 51.1	0.740 18.8	1/2 M12	HC 207-20R3BO 207-22 207-23	FS207	3.96 1.8
HCFS 208-24R3BO	1-1/2	5-5/64 129	4 101.5	15/16 24	21/32 17	1-17/32 39	5/8 16	2-21/64 58.9	2.217 56.3	0.843 21.4	1/2 M12	HC 208-24R3BO	FS208	4.62 2.1
HCFS 209-28R3BO	1-3/4	5-5/16 135	4-1/8 105	15/16 24	23/32 18	1-9/16 40	5/8 16	2-21/64 58.9	2.217 56.3	0.843 21.4	1/2 M12	HC 209-28R3BO	FS209	5.50 2.5
HCFS 210-31R3BO 210-32R3BO	1-15/16 2S	5-5/8 143	4-3/8 111	1-3/32 28	25/32 20	1-25/32 45	5/8 16	2-19/32 66.1	2.469 62.7	0.969 24.6	5/8 M16	HC 210-31R3BO HC 210-32R3BO	FS210	6.38 2.9
HCFS 211-32R3BO	2	6-3/8 162	5-1/8 130	1-1/4 31	13/16 21	1-59/64 49	3/4 19	2-15/16 74.6	2.811 71.4	1.091 27.7	5/8 M16	HC 211-32R3BO	FS211	9.24 4.2