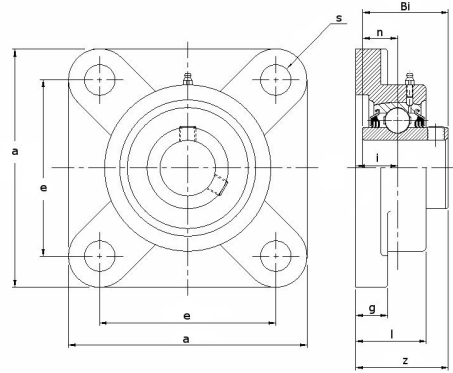




BEARING UNITS



FOUR BOLT FLANGE UNITS - R3BO Insert Bearing
UCF200 R3BO Series
 Normal Duty
 Set Screw Locking



Unit No.	Shaft Dia. In.	Dimensions inch / mm									Bolt Size	Bearing No.	Housing No.	Weight Lbs kg
		a	e	i	g	l	s	z	Bi	n				
UCF 205-16R3BO	1	3-3/4 95	2-3/4 70	5/8 16	1/2 13	1-1/16 27	15/32 12	1-13/32 35.7	1.339 34	0.563 14.3	3/8 M10	UC 205-16R3BO	F205	1.76 0.8
UCF 206-19R3BO 206-20R3BO	1-3/16 1-1/4S	4-1/4 108	3-9/32 83	23/32 18	1/2 13	1-1/4 31	15/32 12	1-37/64 40.2	1.500 38.1	0.626 15.9	3/8 M10	UC 206-19R3BO 206-20R3BO	F206	2.20 1.0
UCF 207-20R3BO 207-22R3BO 207-23R3BO	1-1/4 1-3/8 1-7/16	4-19/32 117	3-5/8 92	3/4 19	19/32 15	1-11/32 34	9/16 14	1-3/4 44.4	1.689 42.9	0.689 17.5	7/16 M12	UC 207-20R3BO 207-22R3BO 207-23R3BO	F207	3.08 1.4
UCF 208-24R3BO	1-1/2	5-1/8 130	4-1/64 102	13/16 21	19/32 15	1-13/32 36	5/8 16	2-1/64 51.2	1.937 49.2	0.748 19	1/2 M14	UC 208-24R3BO	F208	3.96 1.8
UCF 209-28R3BO	1-3/4	5-25/64 137	4-1/8 105	7/8 22	5/8 16	1-1/2 38	5/8 16	2-1/16 52.2	1.937 49.2	0.748 19	1/2 M14	UC 209-28R3BO	F209	4.84 2.2
UCF 210-31R3BO 210-32R3BO	1-15/16 2S	5-5/8 143	4-3/8 111	7/8 22	5/8 16	1-9/16 40	5/8 16	2-5/32 54.6	2.031 51.6	0.748 19	1/2 M14	UC 210-31R3BO 210-32R3BO	F210	5.28 2.4