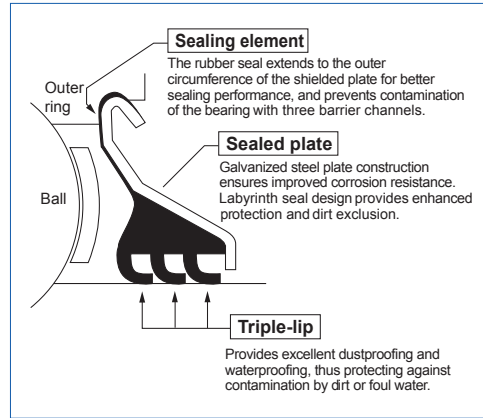
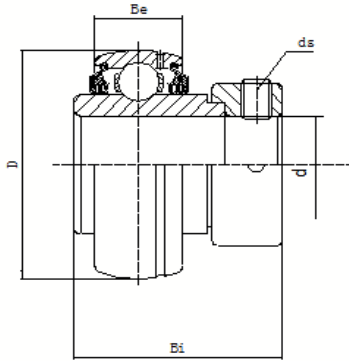




CORROSION RESISTANT PRODUCTS

TRIPLE-LIP BLACK OXIDE INSERT BEARINGS Eccentric Collar Locking



Insert Part No.	Shaft Diameter	Dimensions inch / mm					Basic Load Ratings lbf / N	
	inch	D	L	Bi	Be	ds	dynamic C	static Co
HC205-16R3BO	1	2.04724 52	1-3/4 44.3	1-3/8 34.8	21/32 17	1/4-28unf	3150 14000	1700 7560
HC206-19R3BO	1-3/16	2.44094 62	1-29/64 48.3	1-7/16 36.4	3/4 19	1/4-28unf	4390 19510	2510 11160
HC206-20R3BO	1-1/4S	2.44094 62	1-29/64 48.3	1-7/16 36.4	3/4 19	5/16-24unf	4390 19510	2510 11160
HC207-20R3BO	1-1/4	2.83465 72	2-1/64 51.1	1-31/64 37.6	25/32 20	5/16-24unf	5770 25640	3450 15330
HC207-22R3BO	1-3/8	2.83465 72	2-1/64 51.1	1-31/64 37.6	25/32 20	5/16-24unf	5770 25640	3450 15330
HC207-23R3BO	1-7/16	2.83465 72	2-1/64 51.1	1-31/64 37.6	25/32 20	5/16-24unf	5770 25640	3450 15330
HC208-24R3BO	1-1/2	3.14961 80	2-7/32 56.3	1-11/16 42.8	13/16 21	5/16-24unf	6500 28890	3850 17110
HC209-26R3BO	1-5/8	3.34646 85	2-7/32 56.3	1-11/16 42.8	7/8 22	5/16-24unf	7350 32670	4100 18220
HC209-28R3BO	1-3/4	3.34646 85	2-7/32 56.3	1-11/16 42.8	7/8 22	5/16-24unf	7350 32670	4100 18220
HC210-31R3BO	1-15/16	3.54331 90	2-15/32 62.7	1-15/16 49.2	15/16 24	5/16-24unf	7900 35120	4690 20850
HC211-32R3BO	2	3.93701 100	2-13/16 71.4	2-3/16 55.6	31/32 25	3/8-24unf	9750 43340	5850 26000
HC211-35R3BO	2-3/16	3.93701 100	2-13/16 71.4	2-3/16 55.6	31/32 25	3/8-24unf	9750 43340	5850 26000
HC212-39R3BO	2-7/16	4.33071 110	3-1/16 77.7	2-7/16 61.9	1-1/16 27	3/8-24unf	11500 51120	8100 36000
HC215-47R3BO	2-15/16	5.11811 130	3-5/8 92.1	2-15/16 74.6	1-3/16 30	3/8-24unf	14900 66230	11000 48900