

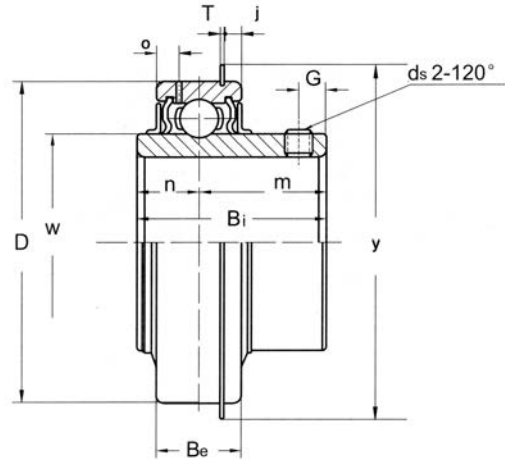


WIDE INNER RING BEARINGS



SER 200 Series - Cylindrical OD - Snap Ring

Normal Duty
Set Screw Locking



Unit No.	Shaft Dia.		Dimensions inch / mm											Basic Load Ratings Lbf / N		Weight Lbs kg	
	In.	mm	D	Bi	Be	n	m	W	o	T	j	G	ds	Y	Dynamic C		Static Co
SER 201-8	1/2		1.85039 47	1-1/4 31.0	5/8 15.9	29/64 11.5	49/64 19.5	1-1/8 28.3	0.157 4.0	0.053 1.35	0.097 2.46	0.197 5.0	1/4-28UNF M6x1.0	2-5/64 52.7	2900 12890	6490 1460	0.55 0.25
202-10	5/8	20															
204																	
204-12	3/4																
SER 205		25	2.04724 52	1-3/8 34.9	3/4 19.1	33/64 13.1	55/64 21.8	1-11/32 34.0	0.205 5.2	0.053 1.35	0.097 2.46	0.220 5.6	1/4-28UNF M6x1.0	2-9/32 57.9	3150 14000	1700 7560	0.68 0.31
205-14	7/8																
205-15	15/16																
205-16	1																
SER 206		30	2.44094 62	1-1/2 38.1	7/8 22.2	5/8 15.9	7/8 22.2	1-19/32 40.3	0.220 5.6	0.075 1.90	1/8 3.28	0.220 5.6	1/4-28UNF M6x1.0	2-21/32 67.7	4390 19520	2510 11160	0.92 0.42
206-17	1-1/16																
206-18	1-1/8																
206-19	1-3/16																
206-20	1-1/4S																
SER 207		35	2.83465 72	1-11/16 42.9	15/16 23.8	11/16 17.5	1 25.4	1-27/32 46.9	0.220 5.6	0.075 1.90	1/8 3.28	1/4 6.4	5/16-24UNF M8x1.0	3-3/32 78.6	5770 25650	3450 15340	1.36 0.62
207-20	1-1/4																
207-21	1-5/16																
207-22	1-3/8																
207-23	1-7/16																
SER 208		40	3.14961 80	1-15/16 49.2	1-3/32 27.8	3/4 19.0	1-3/16 30.2	2-1/16 52.4	1/4 6.4	0.075 1.90	1/8 3.28	5/16 8.0	5/16-24UNF M8x1.0	3-13/32 86.6	6500 28900	17120 3850	2.00 0.91
208-24	1-1/2																
208-25	1-9/16																
SER 209		45	3.34646 85	1-15/16 49.2	1-3/32 27.8	3/4 19.0	1-3/16 30.2	2-17/64 57.4	1/4 6.4	0.075 1.90	1/8 3.28	5/16 8.0	3/8-24UNF M10x1.25	3-39/64 91.6	7350 32680	4100 18230	2.31 1.05
209-26	1-5/8																
209-27	1-11/16																
209-28	1-3/4																
SER 210		50	3.54331 90	2-1/32 51.6	1-1/8 28.6	3/4 19.0	1-9/32 32.6	2-29/64 62.4	0.295 7.5	0.106 2.70	1/8 3.28	3/8 9.5	3/8-24UNF M10x1.25	3-13/16 96.6	7900 35120	4690 20850	2.42 1.1
210-30	1-7/8																
210-31	1-15/16																
SER 211		55	3.93701 100	2-3/16 55.6	1-3/16 30.2	7/8 22.2	1-5/16 33.4	2-45/64 68.7	0.295 7.5	0.106 2.70	1/8 3.28	3/8 9.5	3/8-24UNF M10x1.25	4-17/32 106.6	9750 43350	5850 26000	2.99 1.36
211-32	2																
211-34	2-1/8																
211-35	2-3/16																
SER 212		60	4.33071 110	2-9/16 65.1	1-1/4 31.8	1 25.4	1-9/16 39.7	3 77	0.295 7.5	0.106 2.70	1/8 3.28	7/16 11.1	3/8-24UNF M10x1.25	4-15/32 116.6	11500 51130	8100 36010	5.57 2.53
212-36	2-1/4																
212-38	2-3/8																
212-39	2-7/16																
SER 213		65	4.72441 120	2-9/16 65.1	1-1/4 32	1 25.4	1-9/16 39.7	3-1/4 82.5	5/16 7.9	0.110 2.80	0.157 4.00	7/16 11.1	3/8-24UNF M10x1.25	5-5/16 134.7	12800 56910	8900 39570	6.38 2.9
213-40	2-1/2																
SER 215		75	5.11811 130	3-1/16 77.8	1-1/2 38.1	1-5/16 33.3	1-3/4 44.5	3-35/64 90.2	13/32 10.0	0.122 3.10	0.164 4.16	15/32 12	3/8-24UNF M10x1.25	5-1/2 139.7	14900 66250	11000 48910	7.92 3.6
215-47	2-15/16																
215-48	3																