

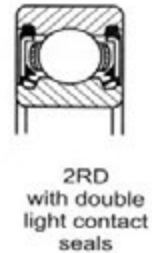
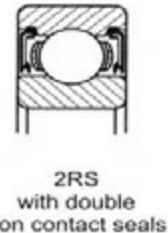
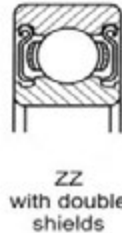
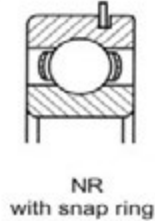
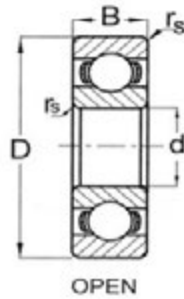


BALL BEARINGS



DEEP GROOVE BALL BEARINGS

Metric Size Bearing
6800, 6000,
6200, 6300 Series



Boundary dimensions (mm)				Basic load ratings (N)		Limiting speeds RPM		Mass (kg) open type	Bearing No.		
d	D	B	rs min	dynamic (Cr)	static (Cor)	Grease (ZZ, 2RS)	oil open		Shields	Seals	
10	19	5	0.3	1 830	925	32 000	38 000	0.005	6800-ZZ	6800-2RS	
	22	6	0.3	2 700	1 270	30 000	36 000	0.009	6900-ZZ	6900-2RS	
	26	8	0.3	4 550	1 960	29 000	34 000	0.019	6000-ZZ	6000-2RS	
	30	9	0.6	5 100	2 390	25 000	30 000	0.032	6200-ZZ	6200-2RS	
	35	11	0.6	5 200	3 500	23 000	27 000	0.058	6300-ZZ	6300-2RS	
12	21	5	0.3	1 920	1 040	29 000	35 000	0.006	6801-ZZ	6801-2RS	
	24	6	0.3	2 890	1 460	27 000	32 000	0.011	6901-ZZ	6901-2RS	
	28	8	0.3	5 100	2 390	26 000	30 000	0.021	6001-ZZ	6001-2RS	
	32	10	0.6	6 100	2 750	22 000	26 000	0.037	6201-ZZ	6201-2RS	
	37	12	1.0	9 700	4 200	20 000	24 000	0.060	6301-ZZ	6301-2RS	
15	24	5	0.3	2 080	1 260	26 000	31 000	0.007	6802-ZZ	6802-2RS	
	28	7	0.3	4 100	2 060	24 000	28 000	0.016	6902-ZZ	6902-2RS	
	32	9	0.3	5 600	2 840	22 000	26 000	0.030	6002-ZZ	6002-2RS	
	35	11	0.6	7 750	2 600	19 000	23 000	0.045	6202-ZZ	6202-2RS	
	42	13	1.0	11 400	5 450	17 000	21 000	0.082	6302-ZZ	6302-2RS	
17	26	5	0.3	2 810	1 720	24 000	28 000	0.008	6803-ZZ	6803-2RS	
	30	7	0.3	4 650	2 580	22 000	26 000	0.018	6903-ZZ	6903-2RS	
	35	10	0.3	6 800	3 350	20 000	24 000	0.039	6003-ZZ	6003-2RS	
	40	12	0.3	9 600	4 600	18 000	21 000	0.068	6203-ZZ	6203-2RS	
	47	14	1.0	13 500	6 550	16 000	19 000	0.115	6303-ZZ	6303-2RS	
20	32	7	0.3	4 000	2 470	21 000	25 000	0.019	6804-ZZ	6804-2RS	
	37	9	0.3	6 400	3 700	19 000	23 000	0.038	6904-ZZ	6904-2RS	
	42	12	0.6	9 400	5 050	18 000	21 000	0.069	6004-ZZ	6004-2RS	
	47	14	1.0	12 800	6 650	16 000	18 000	0.106	6204-ZZ	6204-2RS	
	52	15	1.1	15 900	7 900	14 000	17 000	0.144	6304-ZZ	6304-2RS	
22	44	12	0.6	9 400	5 150	17 000	20 000	0.074		60/22-ZZ	60/22-2RS
	50	14	1.0	12 900	6 800	14 000	17 000	0.117	62/22-ZZ	62/22-2RS	
	56	16	1.1	18 400	9 250	13 000	15 000	0.176	63/22-ZZ		
25	37	7	0.3	4 300	2 950	18 000	21 000	0.022	6805-ZZ	6805-2RS	
	42	9	0.3	7 050	4 550	16 000	19 000	0.042	6905-ZZ	6905-2RS	
	47	12	0.6	10 400	5 850	15 000	18 000	0.080	6005-ZZ	6005-2RS	
	52	15	1.0	14 000	7 850	13 000	15 000	0.128	6205-ZZ	6205-2RS	
	62	17	1.1	21 200	10 900	12 000	14 000	0.232	6305-ZZ	6305-2RS	
28	52	12	0.6	12 500	7 400	14 000	16 000	0.098	60/28-ZZ	60/28-2RS	
	58	16	1.0	17 900	9 700	12 000	14 000	0.171	62/28-ZZ	62/28-2RS	
	68	18	1.1	26 700	14 000	11 000	13 000	0.280	63/28-ZZ	63/28-2RS	
30	42	7	0.3	4 700	3 650	15 000	18 000	0.026	6806-ZZ	6806-2RS	
	47	9	0.3	7 250	5 000	14 000	17 000	0.046	6906-ZZ	6906-2RS	
	55	13	1.0	13 200	8 300	13 000	15 000	0.116	6006-ZZ	6006-2RS	
	62	16	1.0	19 500	11 300	11 000	13 000	0.200	6206-ZZ	6206-2RS	
	72	19	1.1	26 700	15 000	10 000	12 000	0.360	6306-ZZ	6306-2RS	
32	58	12	1.0	15 100	9 150	12 000	15 000	0.129	60/32-ZZ	60/32-2RS	
	65	17	1.0	20 700	11 600	11 000	12 000	0.226	62/32-ZZ	62/32-2RS	
	75	20	1.1	29 800	16 900	9 500	11 000	0.380	63/32-ZZ	63/32-2RS	

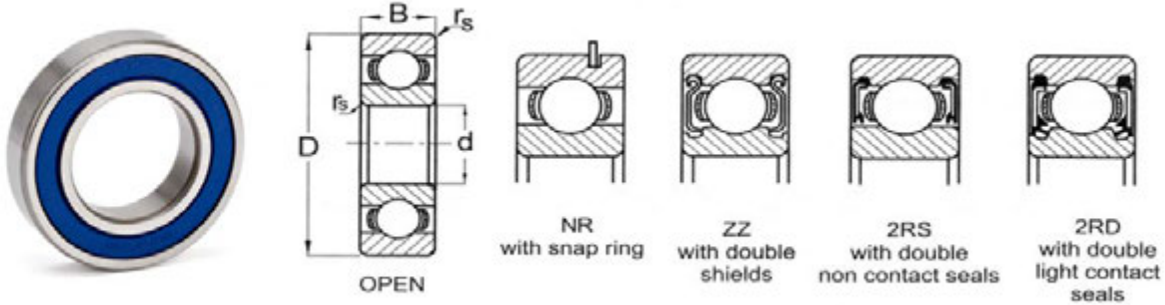


BALL BEARINGS



DEEP GROOVE BALL BEARINGS

Metric Size Bearing
6800, 6000,
6200, 6300 Series



Boundary dimensions (mm)				Basic load ratings (N)		Limiting speeds RPM		Mass (kg) open type	Bearing No.	
d	D	B	rs min	dynamic (Cr)	static (Cor)	Grease (ZZ, 2RS)	oil open		Shields	Seals
35	47	7	0.3	4 900	4 050	13 000	16 000	0.029	6807-ZZ	6807-2RS
	55	10	0.6	11 200	7 450	12 000	15 000	0.074	6907-ZZ	6907-2RS
	62	14	1.0	16 000	10 300	12 000	14 000	0.155	6007-ZZ	6007-2RS
	72	17	1.1	25 700	15 300	9 800	11 000	0.290	6207-ZZ	6207-2RS
	80	21	1.5	33 500	19 100	8 800	10 000	0.460	6307-ZZ	6307-2RS
40	52	7	0.3	5 100	4 400	12 000	14 000	0.033	6808-ZZ	6808-2RS
	62	12	0.6	14 600	10 200	11 000	13 000	0.110	6908-ZZ	6908-2RS
	68	15	1.0	16 800	11 500	10 000	12 000	0.190	6008-ZZ	6008-2RS
	80	18	1.1	29 100	17 800	8 700	10 000	0.370	6208-ZZ	6208-2RS
	90	23	1.5	40 500	24 000	7 800	9 200	0.630	6308-ZZ	6308-2RS
45	58	7	0.3	6 400	5 650	11 000	12 000	0.040	6809-ZZ	6809-2RS
	68	12	0.6	15 100	11 200	9 800	12 000	0.128	6909-ZZ	6909-2RS
	75	16	1.0	21 000	15 100	9 200	11 000	0.240	6009-ZZ	6009-2RS
	85	19	1.1	32 500	20 400	7 800	9 200	0.400	6209-ZZ	6209-2RS
	100	25	1.5	53 000	32 000	7 000	8 200	0.810	6309-ZZ	6309-2RS
50	65	7	0.3	6 600	6 100	9 600	11 000	0.050	6810-ZZ	6810-2RS
	72	12	0.6	15 600	12 200	8 900	11 000	0.130	6910-ZZ	6910-2RS
	80	16	1.0	21 800	16 600	8 400	9 800	0.260	6010-ZZ	6010-2RS
	90	20	1.1	35 000	23 200	7 100	8 300	0.450	6210-ZZ	6210-2RS
	110	27	2.0	62 000	38 500	6 400	7 500	1.070	6310-ZZ	6310-2RS
55	90	18	1.1	28 300	21 200	7 700	9 000	0.390	6011-ZZ	6011-2RS
	100	21	1.5	43 500	29 200	6 400	7 600	0.600	6211-ZZ	6211-2RS
	120	29	2.0	71 500	4 500	5 800	6 800	1.370	6311-ZZ	6311-2RS
60	95	18	0.0	29 500	23 200	7 000	8 300	0.000	6012-ZZ	6012-2RS
	110	22	1.5	52 500	36 000	6 000	7 000	0.000	6212-ZZ	6212-2RS
	130	31	0.0	82 000	52 000	5 400	6 300	0.000	6312-ZZ	6312-2RS
65	100	18	0.0	30 500	25 200	6 500	7 700	0.000	6013-ZZ	6013-2RS
	120	23	1.5	57 500	40 000	5 500	6 500	0.000	6213-ZZ	6213-2RS
	140	33	0.0	92 500	60 000	4 900	5 800	0.000	6313-ZZ	6313-2RS
70	110	20	0.0	38 000	31 000	6 100	7 100	0.000	6014-ZZ	6014-2RS
	125	24	1.5	62 000	44 000	5 100	6 000	0.000	6214-ZZ	6214-2RS
	150	35	0.0	10 400	68 000	4 600	5 400	0.000	6314-ZZ	6314-2RS
75	115	20	0.0	39 500	33 500	5 700	6 700	0.000	6015-ZZ	6015-2RS
	130	25	1.5	66 000	48 500	4 800	5 600	0.000	6215-ZZ	6215-2RS
	160	37	0.0	113 000	77 000	4 300	5 000	3.000	6315-ZZ	6315-2RS
80	125	22	0.0	47 500	40 000	5 300	6 200	0.000	6016-ZZ	6016-2RS
	140	26	2.0	72 500	53 000	4 500	5 300	0.000	6216-ZZ	6216-2RS
	170	39	0.0	123 000	86 500	4 000	4 700	0.000	6316-ZZ	6316-2RS

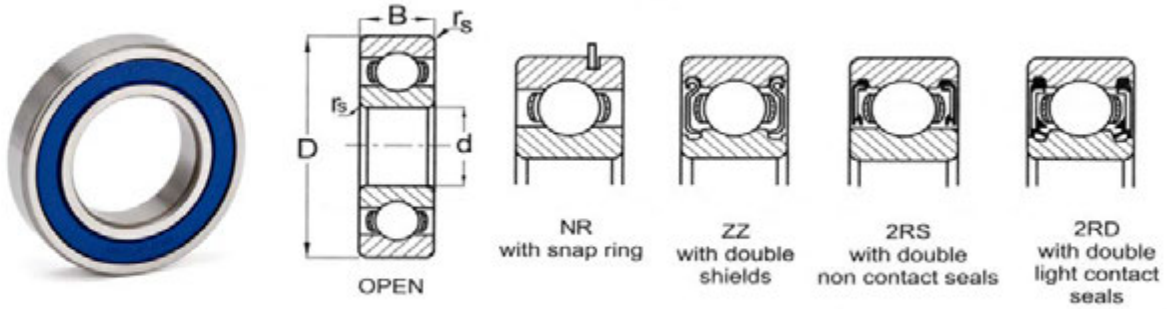


BALL BEARINGS



DEEP GROOVE BALL BEARINGS

Metric Size Bearing
6800, 6000,
6200, 6300 Series



Boundary dimensions (mm)				Basic load ratings (N)		Limiting speeds RPM		Mass (kg) open type	Bearing No.	
d	D	B	rs min	dynamic (Cr)	static (Cor)	Grease (ZZ, 2RS)	oil open		Shields	Seals
85	130	22	0.0	49 500	43 000	5 000	5 900	0.000	6017-ZZ	6017-2RS
	150	28	2.0	83 500	64 000	4 200	5 000	0.000	6217-ZZ	6217-2RS
	180	41	3.0	133 000	97 000	3 800	4 500	0.000	6317-ZZ	6317-2RS
90	140	24	1.5	58 000	49 500	4 700	5 600	0.000	6018-ZZ	6018-2RS
	160	30	2.0	96 000	71 500	4 000	4 700	0.000	6218-ZZ	6218-2RS
95	145	24	1.5	60 500	54 000	4 500	5 300	0.000	6019-ZZ	6019-2RS
	170	32	0.0	109 000	82 000	3 700	4 400	0.000	6219-ZZ	6219-2RS
100	150	24	1.5	60 000	54 000	4 200	5 000	0.000	6020-ZZ	6020-2RS
	180	34	0.0	122 000	93 000	3 500	4 200	0.000	6220-ZZ	6220-2RS
105	160	26	2.0	72 500	65 500	4 000	4 700	0.000	6021-ZZ	6021-2RS
110	170	28	2.0	82 000	73 000	3 800	4 500	1.960	6022-ZZ	6022-2RS