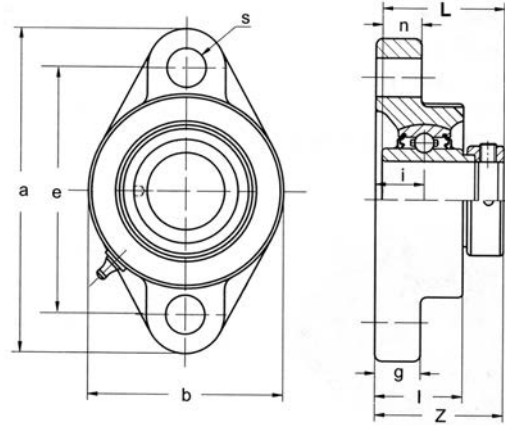




BEARING UNITS



TWO BOLT FLANGE UNITS
HCFT 200 Series
 Normal Duty
 Eccentric Collar Locking
 Housings Marked FLU



Unit No.	Shaft Dia.		Dimensions inch / mm									Bolt Size	Bearing No.	Housing No.	Weight Lbs kg	
	In.	mm	a	e	i	g	l	s	b	z	L					n
HCFT 201-8 202-10 204 204-12	1/2 5/8 3/4	20	4-7/16 112.7	3-35/64 90.5	3/4 19.1	19/32 15.1	1-11/64 29.8	29/64 11.5	2-13/32 61.1	1-51/64 45.6	1.713 43.5	0.673 17.1	5/16 M8	HC 201-8 202-10 204 204-12	FT204	1.32 0.60
HCFT 205 205-14 205-15 205-16	7/8 15/16 1	25	4-29/32 124.6	3-57/64 98.8	3/4 19.1	19/32 15.1	1-3/16 30.2	29/64 11.5	2-3/4 69.9	1-13/16 46.0	1.744 44.3	0.689 17.5	3/8 M10	HC 205 205-14 205-15 205-16	FT205	1.76 0.80
HCFT 206 206-17 206-18 206-19 206-20	1-1/16 1-1/8 1-3/16 1-1/45	30	5-19/32 142.1	4-19/32 116.7	25/32 19.8	5/8 15.9	1-9/32 32.5	29/64 11.5	3-3/16 81.0	1-31/32 50.0	1.902 48.3	0.720 18.3	3/8 M10	HC 206 206-17 206-18 206-19 206-20	FT206	2.42 1.10
HCFT 207 207-20 207-21 207-22 207-23	1-1/4 1-5/16 1-3/8 1-7/16	35	6-3/16 157.2	5-1/8 130.2	13/16 20.6	21/32 16.7	1-13/32 35.7	9/16 14.3	3-11/16 93.7	2-3/32 53.2	2.012 51.1	0.740 18.8	7/16 M12	HC 207 207-20 207-21 207-22 207-23	FT207	3.08 1.40
HCFT 208 208-24 208-25	1-1/2 1-9/16	40	6-25/32 172.2	5-41/64 143.3	15/16 23.8	21/32 16.7	1-17/32 38.9	9/16 14.3	4-5/64 103.6	2-21/64 59.1	2.217 56.3	0.843 21.4	7/16 M12	HC 208 208-24 208-25	FT208	3.96 1.80
HCFT 209 209-26 209-27 209-28	1-5/8 1-11/16 1-3/4	45	7-3/32 180.2	5-27/32 148.4	15/16 23.8	23/32 18.3	1-9/16 39.7	5/8 15.9	4-1/4 108.0	2-21/64 59.1	2.217 56.3	0.843 21.4	7/16 M12	HC 209 209-26 209-27 209-28	FT209	4.62 2.10
HCFT 210 210-30 210-31 210-32	1-7/8 1-15/16 25	50	7-15/32 189.7	6-3/16 157.2	1-3/32 27.8	25/32 19.8	1-25/32 45.2	23/32 18.3	4-1/2 114.3	2-19/32 65.9	2.469 62.7	0.969 24.6	1/2 M14	HC 210 210-30 210-31 210-32	FT210	5.50 2.50
HCFT 211 211-32 211-34 211-35	2 2-1/8 2-3/16	55	8-17/32 216.7	7-1/4 184.2	1-1/4 31.8	13/16 20.6	1-7/8 47.6	23/32 18.3	5-5/64 129.0	2-15/16 74.6	2.811 71.4	1.094 27.8	5/8 M16	HC 211 211-32 211-34 211-35	FT211	7.70 3.50
HCFT 212 212-36 212-37 212-38 212-39	2-1/4 2-5/16 2-3/8 2-7/16	60	9-1/4 235.0	7-61/64 202.0	1-11/32 34.1	13/16 20.6	2-3/32 53.2	23/32 18.3	5-7/16 138.1	3-5/32 80.2	3.059 77.7	1.220 31.0	5/8 M16	HC 212 212-36 212-37 212-38 212-39	FT212	9.90 4.50
HCFT 213		65	9-3/4 247.7	8-9/32 210.3	1-1/2 38.1	7/8 22.2	2-7/32 56.4	13/16 20.6	5-31/32 151.6	3-35/64 90.1	3.374 85.7	1.346 34.2	3/4 M18	HC 213	FT213	12.32 5.60
HCFT 214 214-42 214-43 214-44	2-5/8 2-11/16 2-3/4	70	10-1/8 257.2	8-1/2 215.9	1-1/2 38.1	29/32 23.0	2-9/32 57.9	13/16 20.6	6-3/16 157.2	3-35/64 90.1	3.374 85.7	1.339 34.0	3/4 M18	HC 214 214-42 214-43 214-44	FT214	12.54 5.70
HCFT 215 215-45 215-46 215-47 215-48	2-13/16 2-7/8 2-15/16 3	75	10-15/32 265.9	8-55/64 225.0	1-5/8 41.3	15/16 23.8	2-7/16 61.9	13/16 20.6	6-7/16 163.5	3-25/32 96.0	3.626 92.1	1.469 37.3	3/4 M18	HC 215 215-45 215-46 215-47 215-48	FT215	14.52 6.60