

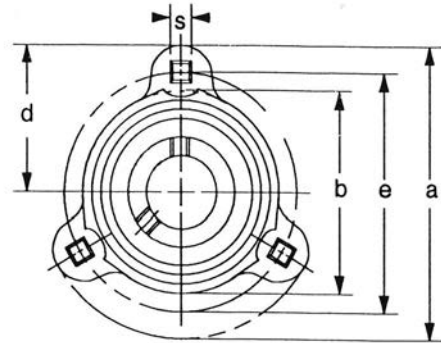
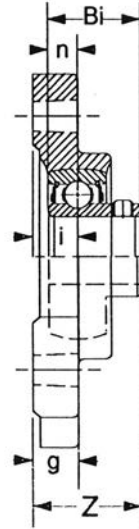


BEARING UNITS



TRIANGLE FLANGE UNITS - Ductile Iron SBRFT 200 Series

Light Duty
Set Screw Locking
Square Bolt Holes



Unit No.	Shaft Dia.		Dimensions inch / mm										Bolt Size	Bearing No.	Housing No.	Weight Lbs kg
	In.	mm	a	e	i	b	d	g	s	z	Bi	n				
SBRFT 204 204-12	3/4	20	3-9/16 90.5	2-13/16 71.4	7/16 11.1	2-13/64 56.0	1-3/4 44.5	7/16 11.1	11/32 8.7	1-3/16 30.2	0.984 25.0	0.276 7.0	5/16 M8	SB 204 204-12	RFT 204	0.77 0.35
SBRFT 205 205-14 205-15 205-16	7/8 15/16 1	25	3-3/4 95.3	3 76.2	7/16 11.1	2-13/16 71.4	1-7/8 47.6	1/2 12.7	11/32 8.7	1-7/32 31.0	1.063 27.0	0.295 7.5	5/16 M8	SB 205 205-14 205-15 205-16	RFT 205	0.99 0.45
SBRFT 206 206-17 206-18 206-19 206-20	1-1/16 1-1/8 1-3/16 1-1/4S	30	4-9/16 115.9	3-9/16 90.5	7/16 11.1	3 76.2	2-9/32 57.9	19/32 15.1	13/32 10.3	1-5/16 33.3	1.181 30.0	0.315 8.0	3/8 M10	SB 206 206-17 206-18 206-19 206-20	RFT 206	1.36 0.62
SBRFT 207 207-20 207-21 207-22 207-23	1-1/4 1-5/16 1-3/8 1-7/16	35	4-13/16 122.2	3-15/16 100.0	1/2 12.7	3-15/32 88.1	2-13/32 61.1	19/32 15.1	13/32 10.3	1-7/16 36.5	1.260 32.0	0.335 8.5	3/8 M10	SB 207 207-20 207-21 207-22 207-23	RFT 207	1.83 0.83