



BEARING UNITS

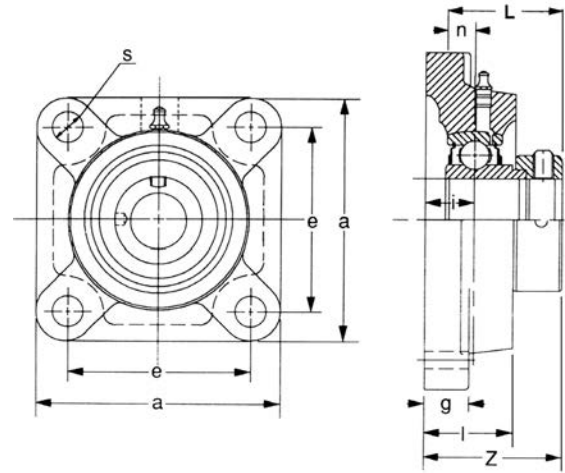


FOUR BOLT FLANGE UNITS

SAF 200 Series

Light Duty

Eccentric Collar Locking



Unit No.	Shaft Dia.		Dimensions inch / mm								Bolt Size	Bearing No.	Housing No.	Weight Lbs kg	
			a	e	i	g	l	s	z	L					n
	In.	mm													
SAF 201-8 202-10	1/2 5/8		2-63/64 75.8	2-1/8 54.0	3/8 9.5	7/16 11.1	23/32 17.9	13/32 10.3	1-17/64 32.1	1.125 28.6	0.236 6.0	3/8 M10	SA 201-8 202-10	F203	1.14 0.52
SAF 204 204-12	3/4	20	3-25/64 86.1	2-1/2 63.5	19/32 15.1	7/16 11.1	1 25.4	15/32 11.9	1-33/64 38.5	1.220 31.0	0.276 7.0	3/8 M10	SA 204 204-12	F204	1.43 0.65
SAF 205 205-14 205-15 205-16	7/8 15/16 1	25	3-3/4 95.3	2-3/4 69.9	5/8 15.9	1/2 12.7	1-1/16 27.0	15/32 11.9	1-35/64 39.3	1.220 31.0	0.295 7.5	3/8 M10	SA 205 205-14 205-15 205-16	F205	1.98 0.90
SAF 206 206-17 206-18 206-19 206-20	1-1/16 1-1/8 1-3/16 1-1/4S	30	4-1/4 108.0	3-9/32 83.3	23/32 18.3	1/2 12.7	1-1/4 31.8	15/32 11.9	1-49/64 44.8	1.406 35.7	0.315 8.0	3/8 M10	SA 206 206-17 206-18 206-19 206-20	F206	2.75 1.25
SAF 207 207-20 207-21 207-22 207-23	1-1/4 1-5/16 1-3/8 1-7/16	35	4-19/32 116.7	3-5/8 92.1	3/4 19.1	19/32 15.1	1-11/32 2 34.1	9/16 14.3	1-29/32 48.4	1.531 38.9	0.335 8.5	7/16 M12	SA 207 207-20 207-21 207-22 207-23	F207	3.74 1.70
SAF 208 208-24 208-25	1-1/2 1-9/16	40	5-1/8 130.2	4 102.0	13/16 20.6	19/32 15.1	1-13/32 35.7	5/8 15.9	2-7/64 53.6	1.720 43.7	0.354 9.0	1/2 M14	SA 208 208-24 208-25	F208	4.84 2.20
SAF 209 209-26 209-27 209-28	1-5/8 1-11/16 1-3/4	45	5-13/32 137.3	4-1/8 104.8	7/8 22.2	5/8 15.9	1-1/2 38.1	5/8 15.9	2-5/32 54.8	1.720 43.7	0.374 9.5	1/2 M14	SA 209 209-26 209-27 209-28	F209	5.50 2.50
SAF 210 210-30 210-31 210-32	1-7/8 1-15/16 2S	50	5-5/8 142.9	4-3/8 111.1	7/8 22.2	5/8 15.9	1-9/16 39.7	5/8 15.9	2-5/32 54.8	1.720 43.7	0.394 10.0	1/2 M14	SA 210 210-30 210-31 210-32	F210	6.16 2.80