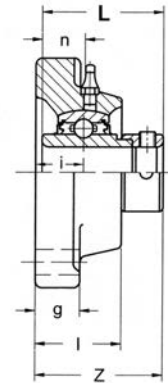
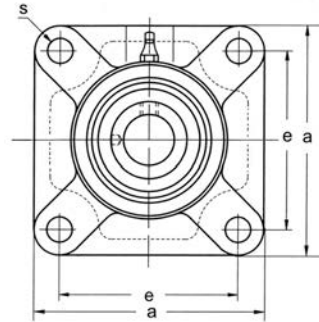




# BEARING UNITS



## FOUR BOLT FLANGE UNITS HCFS 200 Series Normal Duty Eccentric Collar Locking



Unit No.	Shaft Dia.		Dimensions inch / mm									Bolt Size	Bearing No.	Housing No.	Weight Lbs kg
	In.	mm	a	e	i	g	l	s	z	L	n				
HCFS 201-8	1/2												HC 201-8		
202-10	5/8	20	3-25/64	2-1/2	3/4	19/32	1-11/64	15/32	1-51/64	1.713	0.669	3/8	202-10	FS204	1.76
204			86.1	63.5	19.1	15.1	29.8	11.9	45.6	43.5	17.0	M10	204		0.80
204-12	3/4												204-12		
HCFS 205		25											HC 205		
205-14	7/8		3-43/64	2-3/4	3/4	19/32	1-3/16	15/32	1-13/16	1.744	0.685	3/8	205-14	FS205	1.98
205-15	15/16		93.3	69.9	19.1	15.1	30.2	11.9	46.0	44.3	17.4	M10	205-15		0.90
205-16	1												205-16		
HCFS 206		30											HC 206		
206-17	1-1/16		4-11/64	3-1/4	25/32	5/8	1-9/32	15/32	1-31/32	1.902	0.717	3/8	206-17	FS206	2.86
206-18	1-1/8		106.0	82.6	19.8	15.9	32.5	11.9	50.0	48.3	18.2	M10	206-18		1.30
206-19	1-3/16												206-19		
206-20	1-1/4S												206-20		
HCFS 207		35											HC 207		
207-20	1-1/4		4-9/16	3-5/8	13/16	21/32	1-3/8	9/16	2-7/64	2.012	0.740	1/2	207-20	FS207	3.96
207-21	1-5/16		115.9	92.1	20.6	16.7	34.9	14.3	53.6	51.1	18.8	M12	207-21		1.80
207-22	1-3/8												207-22		
207-23	1-7/16												207-23		
HCFS 208		40											HC 208		
208-24	1-1/2		5-5/64	4	15/16	21/32	1-17/32	5/8	2-21/64	2.217	0.843	1/2	208-24	FS208	4.62
208-25	1-9/16		129.0	101.6	23.8	16.7	38.9	15.9	59.1	56.3	21.4	M12	208-25		2.10
HCFS 209		45											HC 209		
209-26	1-5/8		5-5/16	4-1/8	15/16	23/32	1-9/16	5/8	2-21/64	2.217	0.843	1/2	209-26	FS209	5.50
209-27	1-11/16		134.9	104.8	23.8	18.3	39.7	15.9	59.1	56.3	21.4	M12	209-27		2.50
209-28	1-3/4												209-28		
HCFS 210		50											HC 210		
210-30	1-7/8		5-5/8	4-3/8	1-3/32	25/32	1-25/32	5/8	2-19/32	2.469	0.969	5/8	210-30	FS210	6.38
210-31	1-15/16		142.9	111.1	27.8	19.8	45.2	15.9	65.9	62.7	24.6	M16	210-31		2.90
210-32	2S												210-32		
HCFS 211		55											HC 211		
211-32	2		6-3/8	5-1/8	1-1/4	13/16	1-59/64	3/4	2-15/16	2.811	1.091	5/8	211-32	FS211	9.24
211-34	2-1/8		161.9	130.2	31.8	20.6	48.8	19.1	74.6	71.4	27.7	M16	211-34		4.20
211-35	2-3/16												211-35		
HCFS 212		60											HC 212		
212-36	2-1/4		6-7/8	5-5/8	1-11/32	7/8	2-7/64	3/4	3-11/64	3.059	1.217	5/8	212-36	FS212	11.44
212-37	2-5/16		174.6	142.9	34.1	22.2	53.6	19.1	80.6	77.7	30.9	M16	212-37		5.20
212-38	2-3/8												212-38		
212-39	2-7/16												212-39		
HCFS 213		65											HC 213		
213-41	2-9/16		7-1/4	5-55/64	1-1/2	7/8	2-9/32	3/4	3-35/64	3.374	1.343	5/8	213-41	FS213	13.42
			184.2	148.8	38.1	22.2	57.9	19.1	90.1	85.7	34.1	M16			6.10
HCFS 214		70											HC 214		
214-42	2-5/8		7-13/32	5-31/32	1-1/2	29/32	2-3/8	3/4	3-35/64	3.374	1.343	M18	214-42	FS214	13.20
214-43	2-11/16		188.1	151.6	38.1	23.0	60.3	19.1	90.1	85.7	34.1	5/8	214-43		6.00
214-44	2-3/4												214-44		
HCFS 215		75											HC 215		
215-45	2-13/16		7-7/8	6-1/4	1-5/8	15/16	2-7/16	3/4	3-25/32	3.626	1.469	5/8	215-45	FS215	16.50
215-46	2-7/8		200.0	158.8	41.3	23.8	61.9	19.1	96.0	92.1	37.3	M16	215-46		7.50
215-47	2-15/16												215-47		
215-48	3												215-48		