



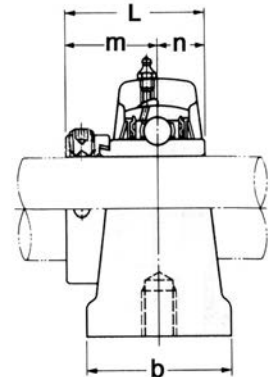
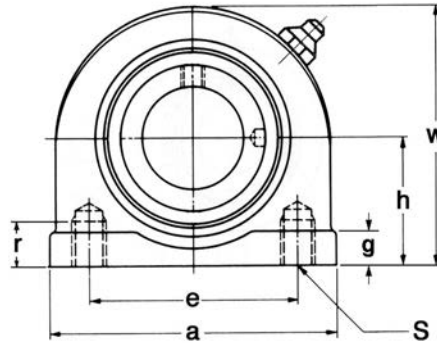
BEARING UNITS



TAP BASE PILLOW BLOCKS - Metric Dimension

HCPA 200 Series

Normal Duty
Eccentric Collar Locking
Metric Bolt Hole Spacing, Metric Threads



Unit No.	Shaft Dia.		Dimensions inch / mm											Bearing No.	Housing No.	Weight Lbs kg
	In.	mm	h	a	e	b	S	r	g	w	L	n	m			
HCPA 201-8	1/2													HC 201-8		
202-10	5/8	20	1-3/16	3	52	1-1/2	M10x1.5	15/32	7/16	2-7/16	1.713	0.669	1-3/64	202-10	PA204	1.41
204			30.2	76.2		38.1		11.9	11.1	61.9	43.5	17.0	26.6	204		0.64
204-12	3/4													204-12		
HCPA 205		25												HC 205		
205-14	7/8		1-7/16	3-5/16	56	1-1/2	M10x1.5	19/32	15/32	2-27/32	1.744	0.685	1-1/16	205-14	PA205	1.85
205-15	15/16		36.5	84.1		38.1		15.1	11.9	72.2	44.3	17.4	27.0	205-15		0.84
205-16	1													205-16		
HCPA 206		30												HC 206		
206-17	1-1/16		1-11/16	3-43/64	66	1-7/8	M14x2.0	23/32	15/32	3-5/16	1.902	0.717	1-3/16	206-17	PA206	2.86
206-18	1-1/8		42.9	93.3		4.6		18.3	11.9	84.1	48.3	18.2	30.2	206-18		1.30
206-19	1-3/16													206-19		
206-20	1-1/4S													206-20		
HCPA 207		35												HC 207		
207-20	1-1/4		1-7/8	4-11/32	80	1-7/8	M14x2.0	25/32	1/2	3-3/4	2.012	0.740	1-17/64	207-20	PA207	4.00
207-21	1-5/16		47.6	110.3		47.6		19.8	12.7	95.3	51.1	18.8	32.1	207-21		1.82
207-22	1-3/8													207-22		
207-23	1-7/16													207-23		
HCPA 208		40												HC 208		
208-24	1-1/2		1-15/16	4-9/16	84	2-1/8	M14x2.0	25/32	1/2	3-15/16	2.217	0.843	1-3/8	208-24	PA208	4.62
208-25	1-9/16		49.2	115.9		54.0		19.8	12.7	100.0	56.3	21.4	34.9	208-25		2.10
HCPA 209		45												HC 209		
209-26	1-5/8		2-9/64	4-23/32	90	2-1/8	M14x2.0	31/32	1/2	4-1/4	2.217	0.843	1-3/8	209-26	PA209	5.17
209-27	1-11/16		54.4	119.9		54.0		24.6	12.7	108.0	56.3	21.4	34.9	209-27		2.35
209-28	1-3/4													209-28		
HCPA 210		50												HC 210		
210-30	1-7/8		2-1/4	5-1/8	94	2-3/8	M16x2.0	31/32	9/16	4-9/16	2.469	0.969	1-27/32	210-30	PA210	6.60
210-31	1-15/16		57.2	130.2		60.3		24.6	14.3	115.9	62.7	24.6	46.8	210-31		3.00
210-32	2S													210-32		