



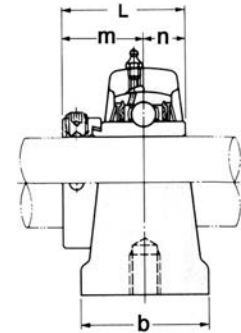
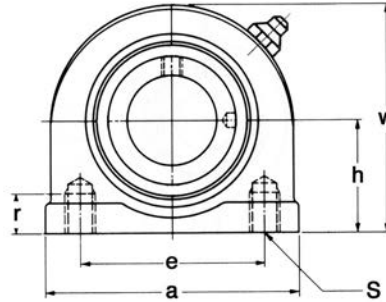
BEARING UNITS



TAP BASE PILLOW BLOCKS - Inch Dimension

HCTB 200 Series

Normal Duty
Eccentric Collar Locking
Inch Bolt Hole Spacing, Inch Threads



Unit No.	Shaft Dia.		Dimensions inch / mm									Bearing No.	Housing No.	Weight Lbs kg	
	In.	mm	h	a	e	b	S	r	w	L	n				m
HCTB 201-8	1/2												HC 201-8		
202-10	5/8												202-10		
204		20	1-5/16 33.3	2-7/8 73.0	2 50.8	1-1/2 38.1	3/8-16	1/2 12.7	2-9/16 65.1	1.713 43.5	0.669 17	1-3/64 26.6	204	TB204	1.41 0.64
204-12	3/4												204-12		
HCTB 205		25											HC 205		
205-14	7/8												205-14		
205-15	15/16		1-7/16 36.5	3 76.2	2 50.8	1-1/2 38.1	3/8-16	1/2 12.7	2-13/16 71.4	1.744 44.3	0.685 17.4	1-1/16 27.0	205-15	TB205	1.85 0.84
205-16	1												205-16		
HCTB 206		30											HC 206		
206-17	1-1/16												206-17		
206-18	1-1/8		1-11/16 42.9	4 101.6	3 76.2	1-1/2 38.1	7/16-14	5/8 15.9	3-3/8 85.7	1.902 48.3	0.717 18.2	1-3/16 30.2	206-18	TB206	2.86 1.30
206-19	1-3/16												206-19		
206-20	1-1/4S												206-20		
HCTB 207		35											HC 207		
207-20	1-1/4												207-20		
207-21	1-5/16		1-7/8 47.6	4-1/4 108.0	3-1/4 82.6	1-7/8 47.6	1/2-13	3/4 19.1	3-3/4 95.3	2.012 51.1	0.740 18.8	1-17/64 32.1	207-21	TB207	4.00 1.82
207-22	1-3/8												207-22		
207-23	1-7/16												207-23		
HCTB 208		40											HC 208		
208-24	1-1/2		1-15/16 49.2	4-5/8 117.5	3-1/2 88.9	1-7/8 47.6	1/2-13	3/4 19.1	3-15/16 100.0	2.217 56.3	0.843 21.4	1-3/8 34.9	208-24	TB208	4.62 2.10
208-25	1-9/16												208-25		
HCTB 209		45											HC 209		
209-26	1-5/8		2-1/8 54.0	5 127.0	3-3/4 95.3	2 50.8	1/2-13	3/4 19.1	4-1/4 108.0	2.217 56.3	0.843 21.4	1-3/8 34.9	209-26	TB209	5.17 2.35
209-27	1-11/16												209-27		
209-28	1-3/4												209-28		
HCTB 210		50											HC 210		
210-30	1-7/8		2-1/4 57.2	5-1/2 139.7	4 101.6	2 50.8	5/8-11	7/8 22.2	4-5/8 117.5	2.469 62.7	0.969 24.6	1-1/2 38.1	210-30	TB210	6.60 3.00
210-31	1-15/16												210-31		
210-32	2S												210-32		