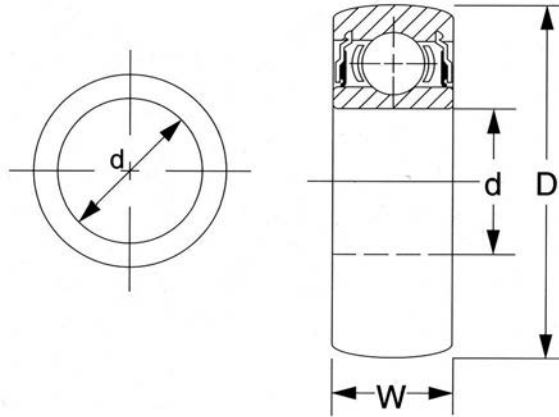




BALL BEARINGS



CS 200 Series Spherical O.D. Ball Bearings



Unit Number	d		D		W		Load Ratings Lbf / N		Weight Lbs kg
	nominal In.	Tol. +0/ to minus mm	nominal In.	Tol. +0/ to minus mm	nominal In.	Tol. +0/ to minus mm	Dynamic	Static	
CS 202 DDU	0.5906 15.000	0.0003 0.008	1.3780 35.000	0.0005 0.013	0.4331 11.000	0.0050 0.127	1730 7690	850 3780	0.10 0.045
CS 203 DDU	0.6693 17.000	0.0003 0.008	1.5748 40.000	0.0005 0.013	0.4724 12.000	0.0050 0.127	2160 9600	1000 4440	0.14 0.064
CS 204 DDU	0.7874 20.000	0.0004 0.010	1.8504 47.000	0.0005 0.013	0.5512 14.000	0.005 0.127	2900 12890	1410 6270	0.23 0.105
CS 206 DDU	1.1811 30.000	0.0004 0.010	2.4409 62.000	0.0005 0.013	0.6299 16.000	0.005 0.127	4370 19420	2320 10310	0.43 0.195
CS 207 DDU	1.3780 35.000	0.0005 0.013	2.8346 72.000	0.0005 0.013	0.6693 17.000	0.005 0.127	5770 25640	3150 14000	0.64 0.291
CS 209 DDU	1.7717 45.000	0.0005 0.013	3.3465 85.000	0.0006 0.015	0.7480 19.000	0.005 0.127	7350 32670	4150 18440	0.90 0.409
CS 210 DDU	1.9685 50.000	0.0005 0.013	3.5433 90.000	0.0006 0.015	0.7874 20.000	0.005 0.127	7880 35020	4650 20670	1.01 0.459
CS 306 DDU	1.1811 30.000	0.0004 0.010	2.8246 72.000	0.0005 0.013	0.7480 19.000	0.005 0.127	6550 29110	3650 16220	0.75 0.355
CS 309 DDU	1.7717 45.000	0.0005 0.013	3.9370 100.000	0.0006 0.015	0.9843 25.000	0.005 0.127	12000 53330	7100 31560	1.89 0.859
CS 310 DDU	1.9685 50.000	0.0005 0.013	4.3307 110.000	0.0006 0.015	1.0630 27.000	0.005 0.127	14000 62220	8500 37780	2.45 1.114