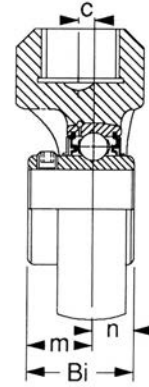
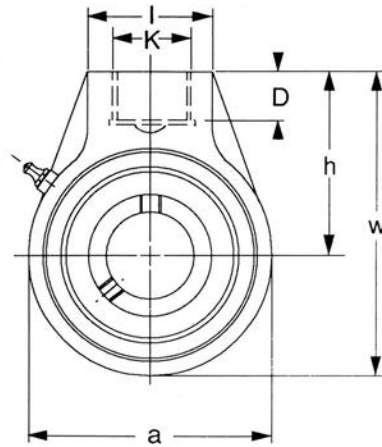




# BEARING UNITS



**HANGER UNITS - NPSM Female Thread**  
**UCHA 200 Series**  
 Normal Duty  
 Set Screw Locking



Unit No.	Shaft Dia.		Dimensions inch / mm										Bearing No.	Housing No.	Weight Lbs kg
	In.	mm	a	w	c	h	l	D	K	Bi	n	m			
UCHA 201-8	1/2												UC 201-8		
202-10	5/8												202-10		
204		20	2-17/32 64.3	3-25/32 96.0	0	2-33/64 63.9	1-9/16 39.7	3/4 19.1	NPSM-3/4	1.220 31.0	0.500 12.7	23/32 18.3	204	HA204	1.54 0.70
204-12	3/4												204-12		
UCHA 205		25											UC 205		
205-14	7/8												205-14		
205-15	15/16		3-1/16 77.8	4-5/64 103.6	0	2-33/64 63.9	1-9/16 39.7	3/4 19.1	NPSM-3/4	1.339 34.0	0.563 14.3	25/32 19.8	205-15	HA205	2.20 1.00
205-16	1												205-16		
UCHA 206		30											UC 206		
206-17	1-1/16												206-17		
206-18	1-1/8		3-1/16 77.8	4-5/64 103.6	0	2-33/64 63.9	1-9/16 39.7	3/4 19.1	NPSM-3/4	1.500 38.1	0.626 15.9	7/8 22.2	206-18	HA206	2.20 1.18
206-19	1-3/16												206-19		
206-20	1-1/4S												206-20		
UCHA 207		35											UC 207		
207-20	1-1/4												207-20		
207-21	1-5/16		3-5/8 92.1	4-9/16 115.9	0	2-3/4 69.9	1-9/16 39.7	3/4 19.1	NPSM-3/4	1.689 42.9	0.689 17.5	1 25.4	207-21	HA207	3.08 1.40
207-22	1-3/8												207-22		
207-23	1-7/16												207-23		
UCHA 208		40											UC 208		
208-24	1-1/2		3-25/32 96.0	4-3/4 120.7	5/64 2.0	2-7/8 73.0	1-9/16 39.7	3/4 19.1	NPSM-3/4	1.937 49.2	0.748 19.0	1-3/16 30.2	208-24	HA208	3.30 1.50
208-25	1-9/16												208-25		
UCHA 209		45											UC 209		
209-26	1-5/8												209-26		
209-27	1-11/16		4-1/4 108.0	5-11/32 135.7	13/64 5.2	3-1/4 82.6	1-7/8 47.6	13/16 20.6	NPSM-1	1.937 49.2	0.748 19.0	1-3/16 30.2	209-27	HA209	4.62 2.10
209-28	1-3/4												209-28		
UCHA 210		50											UC 210		
210-30	1-7/8		4-21/32 118.3	5-11/32 135.7	13/64 5.2	3-9/32 83.3	1-7/8 47.6	13/16 20.6	NPSM-1	2.031 51.6	0.748 19.0	1-9/32 32.5	210-30	HA210	5.72 2.60
210-31	1-15/16												210-31		
210-32	2												210-32		

K - National Pipe Straight Mechanical