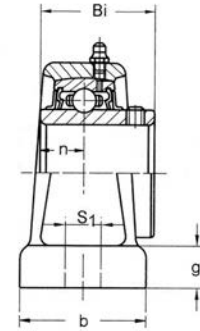
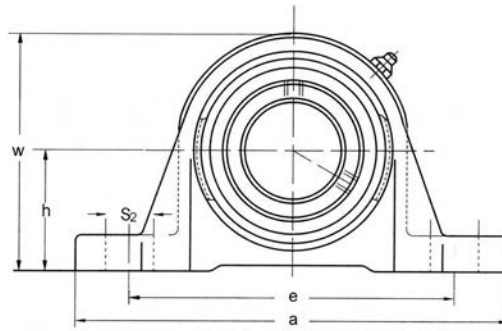




BEARING UNITS



PILLOW BLOCKS - Standard Shaft Height
UCPE 200 Series
 Normal Duty
 Set Screw Locking
 Solid Base



| Unit No. | Shaft Dia. | | Dimensions inch / mm | | | | | | | | | | Bolt Size | Bearing No. | Housing No. | Weight Lbs kg | | |
|------------|------------|----|----------------------|----------|---------|---------|-------|--------|--------|---------|-------|-------|-----------|-------------|-------------|---------------|------|--|
| | In. | mm | h | a | e | b | S1 | S2 | g | w | Bi | n | | | | | | |
| UCPE 201-8 | 1/2 | | | | | | | | | | | | | | | | | |
| 202-10 | 5/8 | | 1-5/16 | 5 | 3-3/4 | 1-1/2 | 1/2 | 5/8 | 19/32 | 2-9/16 | 1.220 | 0.500 | 7/16 | UC 201-8 | | | | |
| 204 | | 20 | 33.3 | 127.0 | 95.3 | 38.1 | 12.7 | 15.9 | 15.1 | 65.1 | 31.0 | 12.7 | M12 | 202-10 | PE204 | 1.7 | 0.77 | |
| 204-12 | 3/4 | | | | | | | | | | | | | 204 | | | | |
| | | | | | | | | | | | | | | 204-12 | | | | |
| UCPE 205 | | 25 | | | | | | | | | | | | UC 205 | | | | |
| 205-14 | 7/8 | | 1-7/16 | 5-1/2 | 4-1/8 | 1-1/2 | 1/2 | 5/8 | 5/8 | 2-3/4 | 1.339 | 0.563 | 1/2 | 205-14 | PE205 | 2.2 | 1.00 | |
| 205-15 | 15/16 | | 36.5 | 139.7 | 104.8 | 38.1 | 12.7 | 15.9 | 15.9 | 69.9 | 34.0 | 14.3 | M14 | 205-15 | | | | |
| 205-16 | 1 | | | | | | | | | | | | | 205-16 | | | | |
| UCPE 206 | | 30 | | | | | | | | | | | | UC 206 | | | | |
| 206-17 | 1-1/16 | | 1-11/16 | 6-1/2 | 4-49/64 | 1-7/8 | 21/32 | 13/16 | 23/32 | 3-9/32 | 1.500 | 0.626 | 1/2 | 206-17 | PE206 | 3.5 | 1.59 | |
| 206-18 | 1-1/8 | | 42.9 | 165.1 | 121.0 | 47.6 | 16.7 | 20.6 | 18.3 | 83.3 | 38.1 | 15.9 | M14 | 206-18 | | | | |
| 206-19 | 1-3/16 | | | | | | | | | | | | | 206-19 | | | | |
| 206-20 | 1-1/4S | | | | | | | | | | | | | 206-20 | | | | |
| UCPE 207 | | 35 | | | | | | | | | | | | UC 207 | | | | |
| 207-20 | 1-1/4 | | 1-7/8 | 6-9/16 | 5 | 1-7/8 | 21/32 | 13/16 | 3/4 | 3-11/16 | 1.689 | 0.689 | 1/2 | 207-20 | PE207 | 4.6 | 2.09 | |
| 207-21 | 1-5/16 | | 47.6 | 166.7 | 127.0 | 47.6 | 16.7 | 20.6 | 19.1 | 93.7 | 42.9 | 17.5 | M14 | 207-21 | | | | |
| 207-22 | 1-3/8 | | | | | | | | | | | | | 207-22 | | | | |
| 207-23 | 1-7/16 | | | | | | | | | | | | | 207-23 | | | | |
| UCPE 208 | | 40 | | | | | | | | | | | | UC 208 | | | | |
| 208-24 | 1-1/2 | | 1-15/16 | 7-1/4 | 5-25/64 | 2-1/8 | 21/32 | 31/32 | 3/4 | 3-15/16 | 1.937 | 0.748 | 1/2 | 208-24 | PE208 | 5.7 | 2.59 | |
| 208-25 | 1-9/16 | | 49.2 | 184.2 | 136.9 | 54.0 | 16.7 | 24.6 | 19.1 | 100.0 | 49.2 | 19.0 | M14 | 208-25 | | | | |
| UCPE 209 | | 45 | | | | | | | | | | | | UC 209 | | | | |
| 209-26 | 1-5/8 | | 2-1/8 | 7-15/32 | 5-3/4 | 2-1/8 | 21/32 | 31/32 | 25/32 | 4-1/4 | 1.937 | 0.748 | 1/2 | 209-26 | PE209 | 6.6 | 3.00 | |
| 209-27 | 1-11/16 | | 54.0 | 189.7 | 146.1 | 54.0 | 16.7 | 24.6 | 19.8 | 108.0 | 49.2 | 19.0 | M14 | 209-27 | | | | |
| 209-28 | 1-3/4 | | | | | | | | | | | | | 209-28 | | | | |
| UCPE 210 | | 50 | | | | | | | | | | | | UC 210 | | | | |
| 210-30 | 1-7/8 | | 2-1/4 | 8-1/8 | 6-1/4 | 2-3/8 | 25/32 | 31/32 | 7/8 | 4-1/2 | 2.031 | 0.748 | 5/8 | 210-30 | PE210 | 7.9 | 3.59 | |
| 210-31 | 1-15/16 | | 57.2 | 206.4 | 158.8 | 60.3 | 19.8 | 24.6 | 22.2 | 114.3 | 51.6 | 19.0 | M16 | 210-31 | | | | |
| 210-32 | 2S | | | | | | | | | | | | | 210-32 | | | | |
| UCPE 211 | | 55 | | | | | | | | | | | | UC 211 | | | | |
| 211-32 | 2 | | 2-1/2 | 8-5/8 | 6-23/32 | 2-3/8 | 25/32 | 31/32 | 7/8 | 4-31/32 | 2.189 | 0.874 | 5/8 | 211-32 | PE211 | 9.7 | 4.41 | |
| 211-34 | 2-1/8 | | 63.5 | 219.1 | 170.7 | 60.3 | 19.8 | 24.6 | 22.2 | 126.2 | 55.6 | 22.2 | M16 | 211-34 | | | | |
| 211-35 | 2-3/16 | | | | | | | | | | | | | 211-35 | | | | |
| UCPE 212 | | 60 | | | | | | | | | | | | UC 212 | | | | |
| 212-36 | 2-1/4 | | 2-3/4 | 9-1/2 | 7-1/4 | 2-3/4 | 25/32 | 31/32 | 31/32 | 5-7/16 | 2.563 | 1.000 | 5/8 | 212-36 | PE212 | 13.6 | 6.18 | |
| 212-37 | 2-5/16 | | 69.9 | 241.3 | 184.2 | 69.9 | 19.8 | 24.6 | 24.6 | 138.1 | 65.1 | 25.4 | M16 | 212-37 | | | | |
| 212-38 | 2-3/8 | | | | | | | | | | | | | 212-38 | | | | |
| 212-39 | 2-7/16 | | | | | | | | | | | | | 212-39 | | | | |
| UCPE 213 | | 65 | | | | | | | | | | | | UC 213 | | | | |
| 213-40 | 2-1/2 | | 3 | 10-7/16 | 8 | 2-3/4 | 31/32 | 1-3/16 | 1-1/16 | 5-29/64 | 2.563 | 1.000 | 3/4 | 213-40 | PE213 | 15.4 | 7.00 | |
| 213-41 | 2-9/16 | | 76.2 | 265.1 | 203.2 | 69.9 | 24.6 | 30.2 | 27.0 | 138.5 | 65.1 | 25.4 | M20 | 213-41 | | | | |
| UCPE 214 | | 70 | | | | | | | | | | | | UC 214 | | | | |
| 214-42 | 2-5/8 | | 3-1/8 | 10-15/32 | 8-9/32 | 2-27/32 | 31/32 | 1-1/4 | 1-1/16 | 6-3/16 | 2.937 | 1.189 | 3/4 | 214-42 | PE214 | 16.7 | 7.59 | |
| 214-43 | 2-11/16 | | 79.4 | 265.9 | 210.3 | 72.2 | 24.6 | 31.8 | 27.0 | 157.2 | 74.6 | 30.2 | M20 | 214-43 | | | | |
| 214-44 | 2-3/4 | | | | | | | | | | | | | 214-44 | | | | |
| UCPE 215 | | 75 | | | | | | | | | | | | UC 215 | | | | |
| 215-45 | 2-13/16 | | 3-1/4 | 10-13/16 | 8-17/32 | 2-29/32 | 31/32 | 1-1/4 | 1-3/32 | 6-13/32 | 3.063 | 1.311 | 3/4 | 215-45 | PE215 | 18.7 | 8.50 | |
| 215-46 | 2-7/8 | | 82.6 | 274.6 | 216.7 | 73.8 | 24.6 | 31.8 | 27.8 | 162.7 | 77.8 | 33.3 | M20 | 215-46 | | | | |
| 215-47 | 2-15/16 | | | | | | | | | | | | | 215-47 | | | | |
| 215-48 | 3 | | | | | | | | | | | | | 215-48 | | | | |