

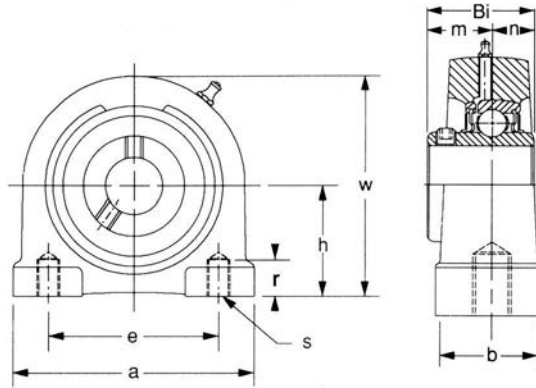


# BEARING UNITS



## TAP BASE PILLOW BLOCKS - Inch Dimension UCTB 200 Series

Normal Duty  
Set Screw Locking  
Inch Bolt Hole Spacing, Inch Threads



Unit No.	Shaft Dia.		Dimensions inch / mm									Bearing No.	Housing No.	Weight Lbs kg	
	In.	mm	h	a	e	b	S	r	w	Bi	n				m
UCTB 201-8	1/2												UC 201-8		
202-10	5/8												202-10		
204		20	1-5/16 33.3	2-7/8 73.0	2 50.8	1-1/2 38.1	3/8-16	1/2 12.7	2-9/16 65.1	1.220 31.0	0.500 12.7	23/32 18.3	204	TB204	1.32 0.60
204-12	3/4												204-12		
UCTB 205		25											UC 205		
205-14	7/8												205-14		
205-15	15/16												205-15	TB205	1.76 0.80
205-16	1												205-16		
UCTB 206		30											UC 206		
206-17	1-1/16												206-17		
206-18	1-1/8												206-18	TB206	2.64 1.20
206-19	1-3/16												206-19		
206-20	1-1/4S												206-20		
UCTB 207		35											UC 207		
207-20	1-1/4												207-20		
207-21	1-5/16												207-21	TB207	3.74 1.70
207-22	1-3/8												207-22		
207-23	1-7/16												207-23		
UCTB 208		40											UC 208		
208-24	1-1/2												208-24		
208-25	1-9/16		1-15/16 49.2	4-5/8 117.5	3-1/2 88.9	1-7/8 47.6	1/2-13	3/4 19.1	3-15/16 100.0	1.937 49.2	0.748 19.0	1-3/16 30.2	208-25	TB208	4.40 2.00
UCTB 209		45											UC 209		
209-26	1-5/8												209-26		
209-27	1-11/16												209-27	TB209	4.84 2.20
209-28	1-3/4												209-28		
UCTB 210		50											UC 210		
210-30	1-7/8												210-30		
210-31	1-15/16												210-31	TB210	6.38 2.90
210-32	2S												210-32		