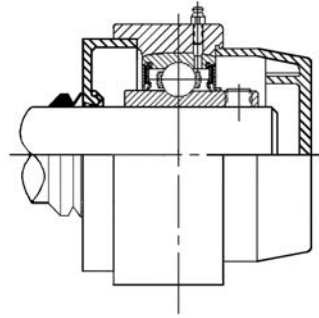




CORROSION RESISTANT PRODUCTS



POLY-GUARD IP69K SEAL KITS for KML Stainless Steel Stand-Out Pillow Block Units End Shaft Application with SSPASO



Seal Kit Part Number	Shaft Dia.		Shaft Type	Kit Components		
	Inch	mm		Closed Cap - 1 pc.	Back Seal - 1 pc.	V-Ring - 1 pc.
PIP69K-25 CC MM		25	end shaft	CC205 Closed Cap	BS205E	VS025 25mm V-ring
PIP69K-16 CC	1				BS205-16E	
PIP69K-30 CC MM		30	end shaft	CC206 Closed Cap	BS206E	VS030 30mm V-ring
PIP69K-19 CC	1-3/16				BS206-19E	
PIP69K-20S CC	1-1/4S		end shaft	CC207 Closed Cap	BS206-20E	VS032 32mm V-ring
PIP69K-35 CC MM		35			BS207E	VS035 35mm V-ring
PIP69K-20 CC	1-1/4				BS207-20E	VS032 32mm V-ring
PIP69K-22 CC	1-3/8				BS207-22E	VS035 35mm V-ring
PIP69K-23 CC	1-7/16		BS207-23E			