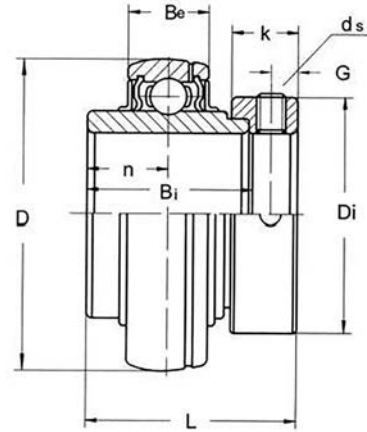




WIDE INNER RING BEARINGS



HC 200 Series - Spherical OD
Normal Duty
Eccentric Collar Locking



Unit No.	Shaft Dia.		Dimensions inch / mm									Basic load Ratings lbf / N		Weight	
	In.	mm	D	L	Bi	Be	n	Di	K	G	ds	dynamic c	static Co	kg	Lbs
HC 201-8	1/2													0.23	0.51
202-10	5/8		1.850	1.713	1-11/32	21/32	21/32	1-5/16	17/32	0.197	1/4-28UNF	2900	1460	0.28	0.62
204		20	47.0	43.5	34	16.7	16.7	33.3	13.5	5.0	M6x1.0	12890	6490	0.24	0.53
204-12	3/4													0.21	0.46
HC 205		25												0.27	0.59
205-14	7/8		2.047	1.744	1-3/8	21/32	11/16	1-1/2	17/32	0.197	1/4-28UNF	3150	1700	0.26	0.57
205-15	15/16		52.0	44.3	34.8	16.7	17.4	38.1	13.5	5.0	M6x1.0	14000	7560	0.25	0.55
205-16	1													0.23	0.51
HC 206		30												0.45	0.99
206-17	1-1/16		2.441	1.902	1-7/16	3/4	23/32	1-3/4	5/8	0.236	5/16-24UNF	4390	2510	0.43	0.95
206-18	1-1/8		62.0	48.3	36.4	19.1	18.2	44.5	15.9	6.0	M8x1.0	19510	11160	0.38	0.84
206-19	1-3/16													0.36	0.79
206-20	1-1/4S													0.40	0.88
HC 207		35												0.60	1.32
207-20	1-1/4		2.835	2.012	1-31/64	25/32	3/4	2-3/16	11/16	0.256	5/16-24UNF	5770	3450	0.66	1.45
207-21	1-5/16		72.0	51.1	37.6	19.8	18.8	55.6	17.5	6.5	M8x1.0	25648	15340	0.64	1.41
207-22	1-3/8													0.61	1.34
207-23	1-7/16													0.58	1.28
HC 208		40												0.79	1.74
208-24	1-1/2		3.149	2.217	1-11/16	13/16	27/32	2-3/8	23/32	0.256	5/16-24UNF	6500	3850	0.86	1.89
208-25	1-9/16		80.0	56.3	42.8	20.6	21.4	60.3	18.3	6.5	M8x1.0	28890	17110	0.82	1.80
HC 209		45												0.85	1.87
209-26	1-5/8		3.346	2.217	1-11/16	7/8	27/32	2-1/2	23/32	0.256	5/16-24UNF	7350	4100	0.93	2.05
209-27	1-11/16		85.0	56.3	42.8	22.2	21.4	63.5	18.3	6.5	M8x1.0	32670	18225	0.90	1.98
209-28	1-3/4													0.85	1.87
HC 210		50												0.98	2.16
210-30	1-7/8		3.543	2.469	1-15/16	15/16	31/32	2-3/4	23/32	0.256	5/16-24UNF	7900	4690	1.07	2.35
210-31	1-15/16		90.0	62.7	49.2	23.8	24.6	69.9	18.3	6.5	M8x1.0	35120	20850	1.03	2.27
210-32	2S													0.95	2.09
HC 211		55												1.32	2.90
211-32	2		3.937	2.811	2-3/16	31/32	1-3/32	3	25/32	0.315	3/8-24UNF	9750	5850	1.49	3.28
211-34	2-1/8		100.0	71.4	55.4	24.6	27.7	76.2	19.8	8.0	M10x1.25	43340	26000	1.37	3.01
211-35	2-3/16													1.32	2.90
HC 212		60												1.87	4.11
212-36	2-1/4		4.331	3.059	2-7/16	1-1/16	1-7/32	3-5/16	7/8	0.315	3/8-24UNF	11500	8100	1.99	4.38
212-37	2-5/16		110.0	77.7	61.8	27.0	30.9	84.1	22.3	8.0	M10x1.25	51120	36000	1.82	4.00
212-38	2-3/8													1.84	4.05
212-39	2-7/16													1.76	3.87
HC 213		65												2.48	5.46
213-41	2-9/16		4.724	3.374	2-11/16	1-3/32	1-11/32	3-25/6	59/64	0.335	3/8-24UNF	12800	8900	2.15	4.75
			120.0	85.7	68.2	27.8	34.1	4 86.1	23.5	8.5	M10x1.25	56900	39560	2.15	4.75
HC 214		70												2.47	5.43
214-42	2-5/8		4.921	3.374	2-11/16	1-3/16	1-11/32	3-13/16	59/64	0.335	3/8-24UNF	14000	9900	2.61	5.75
214-43	2-11/16		125.0	85.7	68.2	30.2	34.1	96.8	23.5	8.5	M10x1.25	62230	44010	2.70	5.94
214-44	2-3/4													2.35	5.17
HC 215		75												2.68	5.90
215-45	2-15/16		5.118	3.626	2-15/16	1-3/16	1-15/32	4-1/64	59/64	0.335	3/8-24UNF	14900	11000	3.11	6.85
215-46	2-7/8		130.0	92.1	74.6	30.2	37.3	102.0	23.5	8.5	M10x1.25	66230	48900	2.99	6.60
215-47	2-15/16													2.67	5.87
215-48	3													2.55	5.61