

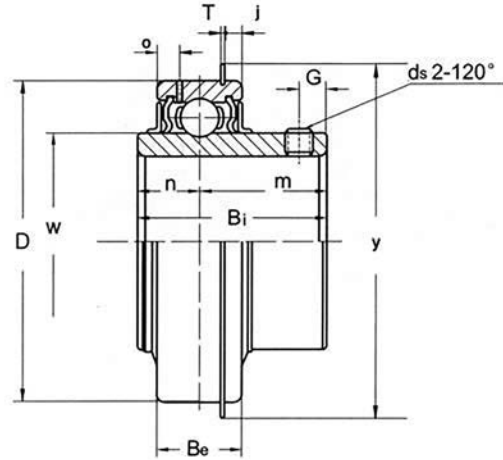


WIDE INNER RING BEARINGS



SER 200 Series - Cylindrical OD - Snap Ring

Normal Duty
Set Screw Locking



Unit No.	Shaft Dia.		Dimensions inch / mm											Basic Load Ratings Lbf / N		Weight Lbs kg	
	In.	mm	D	Bi	Be	n	m	W	o	T	j	G	ds	Y	Dynamic C		Static Co
SER 201-8	1/2	20	1.850 47.0	1-1/4 31.0	5/8 15.9	29/64 11.5	49/64 19.5	1-1/8 28.3	5/32 4.0	0.053 1.3	0.097 2.5	13/64 5.2	1/4-28UNF M6x1.0	2-5/64 52.7	2900 12890	6490 1460	0.55 0.25
202-10	5/8																
204	3/4																
204-12																	
SER 205	7/8	25	2.047 52.0	1-3/8 34.9	3/4 19.1	33/64 13.1	55/64 21.8	1-11/32 34.0	13/64 5.2	0.053 1.3	0.097 2.5	7/32 5.6	1/4-28UNF M6x1.0	2-9/32 57.9	3150 14000	1700 7560	0.68 0.31
205-14	15/16																
205-15	1																
205-16																	
SER 206	1-1/16	30	2.441 62.0	1-1/2 38.1	7/8 22.2	5/8 15.9	7/8 22.2	1-19/32 40.3	7/32 5.6	0.075 1.9	0.129 3.3	7/32 5.6	1/4-28UNF M6x1.0	2-21/32 67.7	4390 19520	2510 11160	0.92 0.42
206-17	1-1/8																
206-18	1-3/16																
206-19																	
206-20	1-1/4S																
SER 207	1-1/4	35	2.835 72.0	1-11/16 42.9	15/16 23.8	11/16 17.5	1 25.4	1-27/32 46.9	7/32 5.6	0.075 1.9	0.129 3.3	1/4 6.4	5/16-24UNF M8x1.0	3-3/32 78.6	5770 25650	3450 15340	1.36 0.62
207-20	1-5/16																
207-21	1-3/8																
207-22																	
207-23	1-7/16																
SER 208	1-1/2	40	3.149 80.0	1-15/16 49.2	1-3/32 27.8	3/4 19.0	1-3/16 30.2	2-1/16 52.4	1/4 6.4	0.075 1.9	0.129 3.3	5/16 7.9	5/16-24UNF M8x1.0	3-13/32 86.6	6500 28900	17120 3850	2.00 0.91
208-24	1-9/16																
208-25																	
SER 209	1-5/8	45	3.346 85.0	1-15/16 49.2	1-3/32 27.8	3/4 19.0	1-3/16 30.2	2-17/64 57.4	1/4 6.4	0.075 1.9	0.129 3.3	5/16 7.9	3/8-24UNF M10x1.25	3-39/64 91.6	7350 32680	4100 18230	2.31 1.05
209-26	1-11/16																
209-27	1-3/4																
209-28																	
SER 210	1-7/8	50	3.543 90.0	2-1/32 51.6	1-1/8 28.6	3/4 19.0	1-9/32 32.6	2-29/64 62.4	19/64 7.5	0.106 2.7	0.129 3.3	3/8 9.5	3/8-24UNF M10x1.25	3-13/16 96.6	7900 35120	4690 20850	2.42 1.1
210-30	1-15/16																
210-31																	
SER 211-32	2	60	3.937 100.0	2-3/16 55.6	1-3/16 30.2	7/8 22.2	1-5/16 33.4	2-45/64 68.7	19/64 7.5	0.106 2.7	0.129 3.3	3/8 9.5	3/8-24UNF M10x1.25	4-17/32 106.6	9750 43350	5850 26000	2.99 1.36
211-34	2-1/8																
211-35	2-3/16																
SER 212	2-1/4	65	4.331 110.0	2-9/16 65.1	1-1/4 31.8	1 25.4	1-9/16 39.7	3 76.2	19/64 7.5	0.106 2.7	0.129 3.3	7/16 11.1	3/8-24UNF M10x1.25	4-15/32 116.6	11500 51130	8100 36010	5.57 2.53
212-36	2-3/8																
212-38	2-7/16																
212-39																	
SER 213	2-1/2	75	4.724 120.0	2-9/16 65.1	1-1/4 31.8	1 25.4	1-9/16 39.7	3-1/4 82.5	5/16 7.9	0.110 2.8	0.157 4.0	7/16 11.1	3/8-24UNF M10x1.25	5-5/16 134.7	12800 56910	8900 39570	6.38 2.9
213-40																	
SER 215	2-15/16	3	5.118 130.0	3-1/16 77.8	1-1/2 38.1	1-5/16 33.3	1-3/4 44.5	3-35/64 90.2	13/32 10.3	0.122 3.1	0.164 4.2	15/32 11.9	3/8-24UNF M10x1.25	5-1/2 139.7	14900 66250	11000 48910	7.92 3.6
215-47																	
215-48																	