

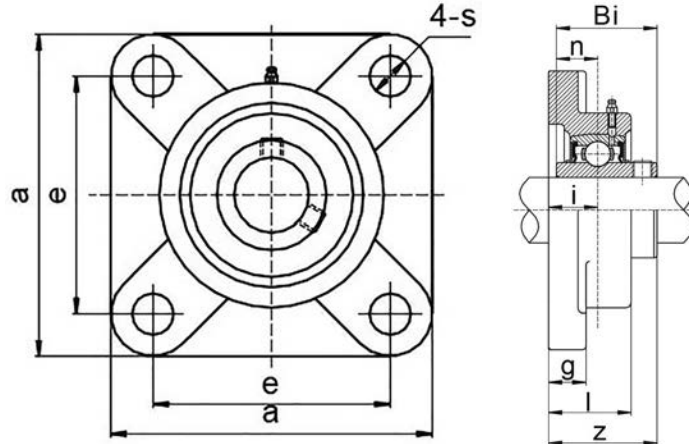


CORROSION RESISTANT PRODUCTS



STAINLESS STEEL FOUR BOLT FLANGE - Stainless Steel Insert SSUCF 200 Series

Solid Base
Normal Duty
Set Screw Locking



Unit No.	Shaft Dia.		Dimensions inch / mm									Bolt Size	Bearing No.	Housing No.	Weight Lbs kg
	In.	mm	a	e	g	l	s	z	i	Bi	n				
SSUCF201-8	1/2												SSUC201-8		
202-10	5/8	20	3-3/8	2-1/2	15/32	1	7/16	1-5/16	19/32	1.221	0.500	3/8	202-10	SSF204	1.42
204			85.7	63.5	11.9	25.4	11.1	33.3	15.1	31.0	12.7	M8	204		0.65
204-12	3/4												204-12		
SSUCF205		25											SSUC205		
205-14	7/8		3-3/4	2-3/4	9/16	1-1/16	29/64	1-13/32	5/8	1.343	0.563	3/8	205-14	SSF205	1.87
205-15	15/16		95.3	69.9	14.3	27.0	11.5	35.7	15.9	34.1	14.3	M8	205-15		0.85
205-16	1												205-16		
SSUCF206		30											SSUC206		
206-17	1-1/16												206-17		
206-18	1-1/8		4-1/4	3-1/4	9/16	1-3/16	33/64	1-37/64	45/64	1.500	0.626	3/8	206-18	SSF206	2.57
206-19	1-3/16		108.0	82.6	14.3	30.2	13.1	40.1	17.9	38.1	15.9	M8	206-19		1.17
206-20	1-1/4S												206-20		
SSUCF207		35											SSUC207		
207-20	1-1/4												207-20		
207-21	1-5/16		4-5/8	3-5/8	9/16	1-19/64	33/64	1-3/4	3/4	1.689	0.689	7/16	207-21	SSF207	3.32
207-22	1-3/8		117.5	92.1	14.3	32.9	13.1	44.5	19.1	42.9	17.5	M10	207-22		1.51
207-23	1-7/16												207-23		
SSUCF208		40											SSUC208		
208-24	1-1/2		5-1/8	4	9/16	1-27/64	9/16	2-1/64	13/16	1.937	0.748	7/16	208-24	SSF208	4.44
208-25	1-9/16		130.2	101.6	14.3	36.1	14.3	51.2	20.6	49.2	19.0	M10	208-25		2.02
SSUCF209		45											SSUC209		
209-26	1-5/8		5-25/64	4-1/8	9/16	1-1/2	5/8	2-3/64	55/64	1.937	0.748	5/8	209-26	SSF209	4.80
209-27	1-11/16		136.9	104.8	14.3	38.1	15.9	52.0	21.8	49.2	19.0	M16	209-27		2.18
209-28	1-3/4												209-28		
SSUCF210		50											SSUC210		
210-30	1-7/8		5-5/8	4-3/8	19/32	1-17/32	5/8	2-9/64	55/64	2.032	0.748	5/8	210-30	SSF210	5.35
210-31	1-15/16		142.9	111.1	15.1	38.9	15.9	54.4	21.8	51.6	19.0	M16	210-31		2.43
210-32	2S												210-32		
SSUCF211		55											SSUC211		
211-32	2		6-3/8	5-1/8	23/32	1-11/16	43/64	2-5/16	63/64	2.189	0.874	5/8	211-32	SSF211	8.10
			162.0	130.2	18.3	42.9	17.1	58.7	25.0	55.6	22.2	M16			3.68