

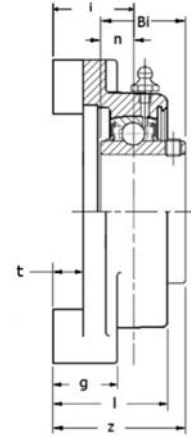
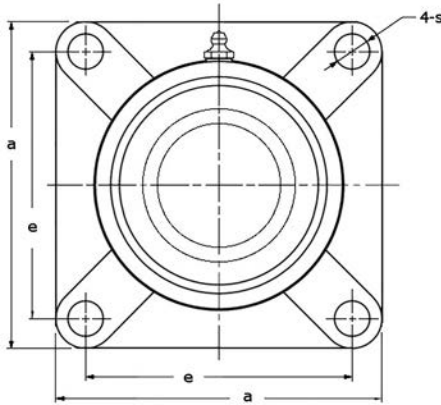


# CORROSION RESISTANT PRODUCTS



## STAINLESS STEEL FOUR BOLT STAND-OUT FLANGE Stainless Steel Insert SSUCFSO 200 Series

Solid Base  
Normal Duty  
Set Screw Locking



Unit No.	Shaft Dia.		Dimensions (inch/mm)										Bolt Size	Bearing No.	Housing No.	Weight lbs kg		
	Inch	mm	a	e	g	l	s	t	z	i	Bi	n						
SSUCFSO204		20																
SSUCFSO201-8	1/2		3-3/8	2-1/2	31/32	1-13/16	7/16	1/2	2-1/32	1-5/16	1.221	0.500	3/8	SSUC204			1.95	
SSUCFSO202-10	5/8		85.7	63.5	24.6	46.0	11.1	12.7	51.6	33.3	31.0	12.7	M10	SSUC202-10	SSFSO204		0.88	
SSUCFSO204-12	3/4													SSUC204-12				
SSUCFSO205		25																
SSUCFSO205-14	7/8		3-3/4	2-3/4	1-11/32	1-7/8	7/16	1/2	2-5/32	1-3/8	1.343	0.563	3/8	SSUC205			3.03	
SSUCFSO205-15	15/16		95.3	69.9	34.1	47.6	11.1	12.7	54.8	34.9	34.1	14.3	M10	SSUC205-15	SSFSO205		1.38	
SSUCFSO205-16	1													SSUC205-16				
SSUCFSO206		30																
SSUCFSO206-17	1-1/16													SSUC206				
SSUCFSO206-18	1-1/8		4-1/4	3-1/4	1-1/4	1-31/32	1/2	1/2	2-5/16	1-7/16	1.500	0.625	3/8	SSUC206-17			3.60	
SSUCFSO206-19	1-3/16		108.0	82.6	31.7	50.0	12.7	12.7	58.7	36.5	38.1	15.9	M10	SSUC206-18	SSFSO206		1.96	
SSUCFSO206-20	1-1/4S													SSUC206-19				
														SSUC206-20				
SSUCFSO207		35																
SSUCFSO207-20	1-1/4													SSUC207				
SSUCFSO207-21	1-5/16		4-5/8	3-5/8	1-7/32	2-1/16	1/2	1/2	2-1/2	1-1/2	1.689	0.689	7/16	SSUC207-20			4.32	
SSUCFSO207-22	1-3/8		117.5	92.1	31.0	52.4	12.7	12.7	63.5	38.1	42.9	17.5	M10	SSUC207-21	SSFSO207		1.63	
SSUCFSO207-23	1-7/16													SSUC207-22				
														SSUC207-23				
SSUCFSO208		40																
SSUCFSO208-24	1-1/2		5-1/8	4	1-7/3	2-1/8	9/16	1/2	2-3/4	1-9/1	1.937	0.750	1/2	SSUC208			5.47	
SSUCFSO208-25	1-9/16		130.2	101.6	2 31.0	54.0	14.3	12.7	69.8	6 39.7	49.2	19.0	M12	SSUC208-24	SSFSO208		2.48	
														SSUC208-25				