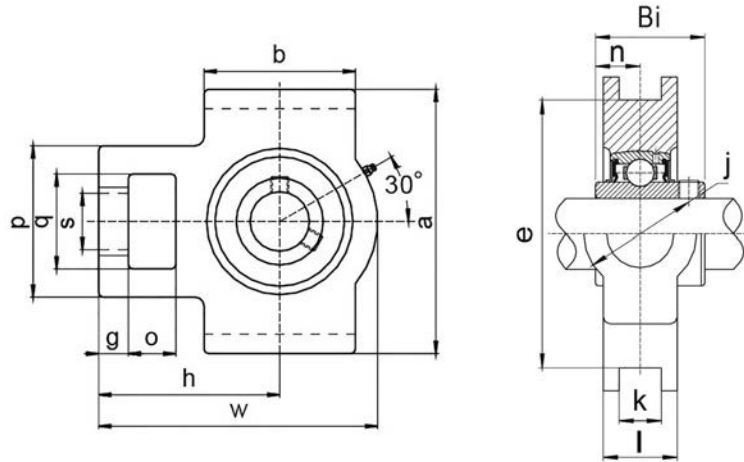




STAINLESS STEEL TAKE-UP UNIT - Stainless Steel Insert
SSUCT 200 Series

Normal Duty
 Set Screw Locking
 Metric Slot Width



Unit No.	Shaft Dia.		Dimensions inch / mm															Bearing No.	Housing No.	Weight Lbs kg
	In.	mm	o	g	p	q	s	b	k	e	a	w	l	j	h	Bi	n			
SSUCT201-8	1/2																	SSUC201-8		
202-10	5/8		5/8	13/32	2	1-1/4	3/4	2	12	3	3-1/2	3-11/16	13/16	1-1/4	2-13/32	1.220	0.500	202-10	SST204	2.00
204		20	15.9	10.3	50.8	31.8	19.1	50.8		76.2	88.9	93.7	20.6	31.8	61.1	31	12.7	204		0.91
204-12	3/4																	204-12		
SSUCT205		25																SSUC205		
205-14	7/8		5/8	13/32	2	1-1/4	3/4	2	12	3	3-1/2	3-13/16	15/16	1-1/4	2-7/16	1.343	0.563	205-14	SST205	2.18
205-15	15/16		16.9	10.3	50.8	31.8	19.1	50.8		76.2	88.9	96.8	23.8	31.8	61.9	34.1	14.3	205-15		0.99
205-16	1																	205-16		
SSUCT206		30																SSUC206		
206-17	1-1/16																	206-17		
206-18	1-1/8		5/8	13/32	2-7/32	1-29/64	7/8	2-1/4	12	3-1/2	4-1/64	4-7/16	1-3/32	1-29/64	2-3/4	1.500	0.626	206-18	SST206	3.21
206-19	1-3/16		15.9	10.3	56.4	36.9	22.2	57.2		88.9	102.0	112.7	27.8	36.9	69.9	38.1	15.9	206-19		1.46
206-20	1-1/4S																	206-20		
SSUCT207		35																SSUC207		
207-20	1-1/4																	207-20		
207-21	1-5/16		5/8	1/2	2-33/64	1-29/64	7/8	2-33/64	12	3-1/2	4-1/64	5-5/64	1-3/16	1-29/64	3-5/64	1.689	0.689	207-21	SST207	3.98
207-22	1-3/8		15.9	12.7	63.9	36.9	22.2	63.9		88.9	102.0	129.0	30.2	36.9	78.2	42.9	17.5	207-22		1.81
207-23	1-7/16																	207-23		
SSUCT208		40																SSUC208		
208-24	1-1/2		3/4	5/8	3-9/32	1-59/64	1-9/64	3-9/32	16	4-1/64	4-1/2	5-19/32	1-19/64	1-59/64	3-15/32	1.937	0.748	208-24	SST208	5.90
208-25	1-9/16		19.1	15.9	83.3	48.8	29.0	83.3		102.0	114.3	142.1	32.9	48.8	88.1	49.2	19.0	208-25		2.68
SSUCT209		45																SSUC209		
209-26	1-5/8		3/4	5/8	3-9/32	1-59/64	1-9/64	3-9/32	16	4-1/64	4-19/32	5-11/16	1-3/8	1-59/64	3-27/64	1.937	0.748	209-26	SST209	6.58
209-27	1-11/16		19.1	15.9	83.3	48.8	29.0	83.3		102.0	116.7	144.5	34.9	48.8	86.9	49.2	19.0	209-27		2.99
209-28	1-3/4																	209-28		
SSUCT210		50																SSUC210		
210-30	1-7/8		3/4	5/8	3-9/32	1-59/64	1-9/64	3-25/64	16	4-1/64	4-19/32	5-15/16	1-29/64	1-59/64	3-35/64	2.031	0.748	210-30	SST210	6.62
210-31	1-15/16		19.1	15.9	83.3	48.8	29.0	86.1		102.0	116.7	148.8	36.9	48.8	90.1	51.6	19.0	210-31		3.01
210-32	2S																	210-32		