

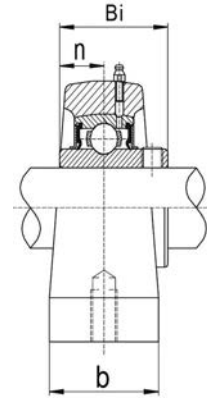
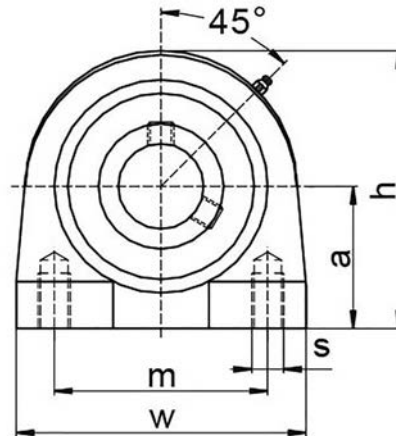


# CORROSION RESISTANT PRODUCTS



## STAINLESS STEEL TAP BASE PILLOW BLOCK - Stainless Steel Insert SSUCA 200 Series

Normal Duty  
Set Screw Locking  
Inch Bolt Holes



Unit No.	Shaft Dia.		Dimensions inch / mm								Bearing No.	Housing No.	Weight Lbs kg
	In.	mm	a	b	h	m	w	s	Bi	n			
<b>SSUCA201-8</b>	1/2										SSUC201-8		
202-10	5/8		<b>1-5/16</b>	<b>1-1/2</b>	<b>2-9/16</b>	<b>2</b>	<b>2-7/8</b>	<b>3/8-16</b>	<b>1.221</b>	<b>0.500</b>	202-10	SSPA204	<b>1.54</b>
204		20	33.3	38.1	65.1	50.8	73.0		31.0	12.7	204		0.70
204-12	3/4										204-12		
<b>SSUCA205</b>		25									SSUC205		
205-14	7/8		<b>1-7/16</b>	<b>1-1/2</b>	<b>2-51/64</b>	<b>2</b>	<b>3</b>	<b>3/8-16</b>	<b>1.343</b>	<b>0.563</b>	205-14	SSPA205	<b>1.87</b>
205-15	15/16		36.5	38.1	71.0	50.8	76.2		34.1	14.3	205-15		0.85
205-16	1										205-16		
<b>SSUCA206</b>		30									SSUC206		
206-17	1-1/16										206-17		
206-18	1-1/8		<b>1-11/16</b>	<b>1-1/2</b>	<b>3-5/16</b>	<b>3</b>	<b>4</b>	<b>7/16-14</b>	<b>1.500</b>	<b>0.626</b>	206-18	SSPA206	<b>2.42</b>
206-19	1-3/16		42.9	38.1	84.1	76.2	101.6		38.1	15.9	206-19		1.10
206-20	1-1/4S										206-20		
<b>SSUCA207</b>		35									SSUC207		
207-20	1-1/4										207-20		
207-21	1-5/16		<b>1-7/8</b>	<b>1-57/64</b>	<b>3-3/4</b>	<b>3-1/4</b>	<b>4-1/4</b>	<b>1/2-13</b>	<b>1.689</b>	<b>0.689</b>	207-21	SSPA207	<b>3.15</b>
207-22	1-3/8		47.6	48.0	95.3	82.6	108.0		42.9	17.5	207-22		1.43
207-23	1-7/16										207-23		
<b>SSUCA208</b>		40									SSUC208		
208-24	1-1/2		<b>1-15/16</b>	<b>1-57/64</b>	<b>3-15/16</b>	<b>3-1/2</b>	<b>4-9/16</b>	<b>1/2-13</b>	<b>1.937</b>	<b>0.748</b>	208-24	SSPA208	<b>3.96</b>
208-25	1-9/16		49.2	48.0	100.6	88.9	115.9		49.2	19.0	208-25		1.80
<b>SSUCA209</b>		45									SSUC209		
209-26	1-5/8		<b>2-1/8</b>	<b>2-1/64</b>	<b>4-1/4</b>	<b>3-3/4</b>	<b>5</b>	<b>1/2-13</b>	<b>1.937</b>	<b>0.748</b>	209-26	SSPA209	<b>5.50</b>
209-27	1-11/16		54.0	51.2	108.0	95.3	127.0		49.2	19.0	209-27		2.50
209-28	1-3/4										209-28		
<b>SSUCA210</b>		50									SSUC210		
210-30	1-7/8		<b>2-1/4</b>	<b>2-1/64</b>	<b>4-39/64</b>	<b>4</b>	<b>5-33/64</b>	<b>5/8-11</b>	<b>2.032</b>	<b>0.748</b>	210-30	SSPA210	<b>6.82</b>
210-31	1-15/16		57.2	51.2	117.1	101.6	140.1		51.6	19.0	210-31		3.10
210-32	2S										210-32		