

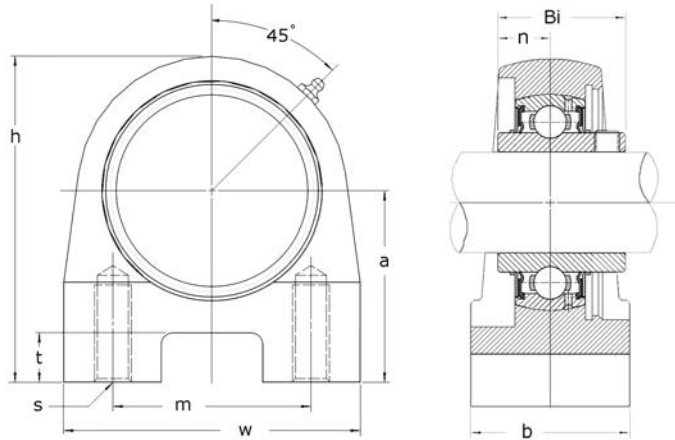


CORROSION RESISTANT PRODUCTS



STAINLESS STEEL TAP BASE STAND-OUT PILLOW BLOCK Stainless Steel Insert SSUCPASO 200 Series

Normal Duty
Set Screw Locking
Inch Bolt Holes



Unit No.	Shaft Dia.		Dimensions (inch/mm)								Bearing No.	Housing No.	Weight lbs kg	
	Inch	mm	a	b	h	m	w	s	t	Bi				n
SSUCPASO205		25										SSUC205		
SSUCPASO205-14	7/8		1-15/16	1-1/2	3-5/16	2	3	3/8 - 16	1/2	1.343	0.563	SSUC205-14		1.93
SSUCPASO205-15	15/16		49.2	38.1	84.1	50.8	76.2		12.7	34.1	14.3	SSUC205-15	SSPASO205	0.88
SSUCPASO205-16	1											SSUC205-16		
SSUCPASO206		30										SSUC206		
SSUCPASO206-17	1-1/16		2-3/16	1-1/2	3-7/8	3	4	7/16 - 14	1/2	1.500	0.625	SSUC206-17		3.00
SSUCPASO206-18	1-1/8		55.6	38.1	98.4	76.2	101.6		12.7	38.1	15.9	SSUC206-18	SSPAS0206	1.36
SSUCPASO206-19	1-3/16											SSUC206-19		
SSUCPASO206-20	1-1/4S											SSUC206-20		
SSUCPASO207		35										SSUC207		
SSUCPASO207-20	1-1/4											SSUC207-20		
SSUCPASO207-21	1-5/16		2-3/8	1-7/8	4-1/4	3-1/4	4-1/4	1/2 - 13	1/2	1.689	0.689	SSUC207-21	SSPASO207	4.06
SSUCPASO207-22	1-3/8		60.3	47.6	108.0	82.6	108.0		12.7	42.9	17.5	SSUC207-22		1.84
SSUCPASO207-23	1-7/16											SSUC207-23		