

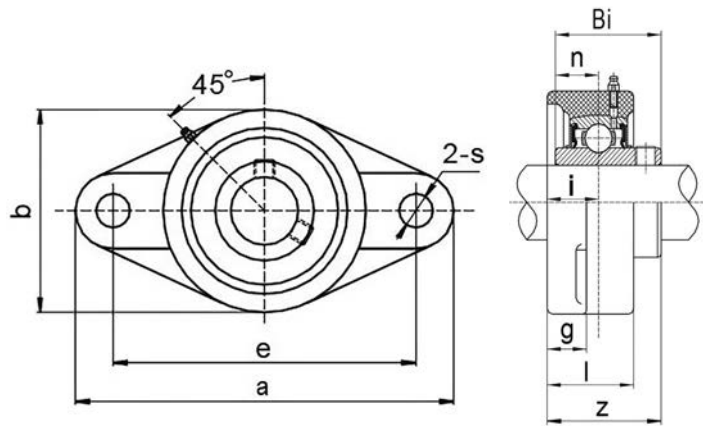


# CORROSION RESISTANT PRODUCTS



## STAINLESS STEEL TWO BOLT FLANGE - Stainless Steel Insert SSUCFL 200 Series

Solid Base  
Normal Duty  
Set Screw Locking



Unit No.	Shaft Dia.		Dimensions inch / mm										Bolt Size	Bearing No.	Housing No.	Weight Lbs kg
	In.	mm	a	e	b	g	l	s	z	i	Bi	n				
<b>SSUCFL201-8</b>	1/2													SSUC201-8		
202-10	5/8		4-13/32	3-17/32	2-23/64	29/64	1	25/64	1-5/16	19/32	1.221	0.500	3/8	202-10	SSFL204	1.10
204		20	111.9	89.7	59.9	11.5	25.4	9.9	33.4	15.1	31.0	12.7	M8	204		0.50
204-12	3/4													204-12		
<b>SSUCFL205</b>		25												SSUC205		
205-14	7/8		4-59/64	3-57/64	2-11/16	1/2	1-1/16	15/32	1-13/32	5/8	1.343	0.563	3/8	205-14	SSFL205	1.408
205-15	15/16		125.0	98.8	68.3	12.7	27.0	11.9	35.7	15.9	34.1	14.3	M8	205-15		0.64
205-16	1													205-16		
<b>SSUCFL206</b>		30												SSUC206		
206-17	1-1/16													206-17		
206-18	1-1/8		5-35/64	4-19/32	3-5/32	1/2	1-3/16	15/32	1-37/64	45/64	1.500	0.626	3/8	206-18	SSFL206	1.98
206-19	1-3/16		140.9	116.7	80.2	12.7	30.2	11.9	40.1	17.9	38.1	15.9	M8	206-19		0.90
206-20	1-1/4S													206-20		
<b>SSUCFL207</b>		35												SSUC207		
207-20	1-1/4													207-20		
207-21	1-5/16		6-1/8	5-1/8	3-35/64	9/16	1-19/64	1/2	1-3/4	3/4	1.689	0.689	7/16	207-21	SSFL207	2.64
207-22	1-3/8		155.6	130.2	90.1	14.3	32.9	12.7	44.5	19.1	42.9	17.5	M10	207-22		1.22
207-23	1-7/16													207-23		
<b>SSUCFL208</b>		40												SSUC208		
208-24	1-1/2		6-3/4	5-21/32	3-15/16	9/16	1-27/64	1/2	2-1/64	13/16	1.937	0.748	7/16	208-24	SSFL208	3.59
208-25	1-9/16		171.5	143.7	100.0	14.3	36.1	12.7	51.2	20.6	49.2	19.0	M10	208-25		1.63
<b>SSUCFL209</b>		45												SSUC209		
209-26	1-5/8		7-3/64	5-27/32	4-1/4	9/16	1-1/2	19/32	2-3/64	55/64	1.937	0.748	1/2	209-26	SSFL209	4.05
209-27	1-11/16		179.0	148.4	108.0	14.3	38.1	15.1	52.0	21.8	49.2	19.0	M16	209-27		1.84
209-28	1-3/4													209-28		
<b>SSUCFL210</b>		50												SSUC210		
210-30	1-7/8		7-7/16	6-3/16	4-17/32	19/32	1-17/32	19/32	2-9/64	55/64	2.032	0.748	1/2	210-30	SSFL210	4.75
210-31	1-15/16		188.9	157.2	115.1	15.1	38.9	15.1	54.4	21.8	51.6	19.0	M16	210-31		2.16
210-32	2S													210-32		