

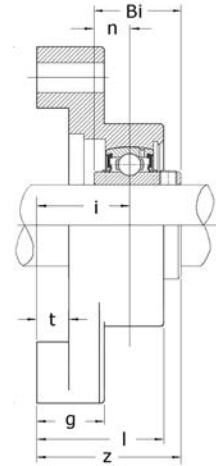
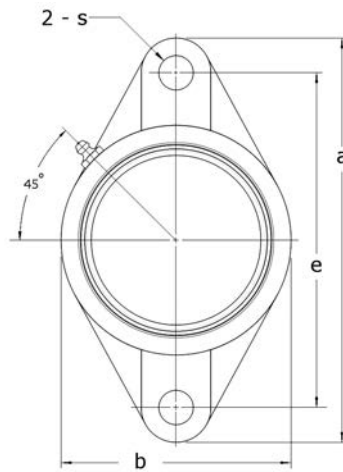


# CORROSION RESISTANT PRODUCTS



## STAINLESS STEEL TWO BOLT STAND-OUT FLANGE Stainless Steel Insert SSUCFLSO 200 Series

Solid Base  
Normal Duty  
Set Screw Locking



Unit No.	Shaft Dia.		Dimensions (inch/mm)											Bolt Size	Bearing No.	Housing No.	Weight lbs kg
	Inch	mm	a	e	b	g	l	s	t	z	i	Bi	n				
SSUCFLSO204	1/2	20	4-13/32	3-17/32	2-3/8	31/32	1-25/32	25/64	1/2	2-1/32	1-5/16	1.219	0.500	3/8	SSUC204	SSFLSO204	1.25
SSUCFLSO201-8	5/8		111.9	89.7	60.3	24.6	45.2	9.9	12.7	51.6	33.3	31.0	12.7	M8	SSUC201-8		0.57
SSUCFLSO202-10	3/4														SSUC202-10		
SSUCFLSO204-12	3/4														SSUC204-12		
SSUCFLSO205	7/8	25	4-15/16	3-57/64	2-11/16	1-9/32	1-7/8	15/32	1/2	2-5/32	1-3/8	1.343	0.563	3/8	SSUC205	SSFLSO205	1.80
SSUCFLSO205-14	15/16		125.4	98.8	68.3	32.5	47.6	11.9	12.7	54.8	34.9	34.1	14.3	M10	SSUC205-14		0.82
SSUCFLSO205-15	1														SSUC205-15		
SSUCFLSO205-16	1														SSUC205-16		
SSUCFLSO206	1-1/16	30	5-9/16	4-19/32	3-5/32	1	1-31/32	15/32	1/2	2-5/16	1-7/16	1.500	0.625	3/8	SSUC206	SSFLSO206	2.19
SSUCFLSO206-17	1-1/8		141.3	116.7	80.2	25.4	50.0	11.9	12.7	58.7	36.5	38.1	15.9	M10	SSUC206-17		1.00
SSUCFLSO206-18	1-3/16														SSUC206-18		
SSUCFLSO206-19	1-1/4S														SSUC206-19		
SSUCFLSO206-20	1-1/4S														SSUC206-20		
SSUCFLSO207	1-1/4	35	6-1/8	5-1/8	3-9/16	1-1/16	2-1/16	1/2	1/2	2-1/2	1-1/2	1.689	0.689	7/16	SSUC207	SSFLSO207	3.04
SSUCFLSO207-20	1-5/16		155.6	130.2	90.5	27.0	52.4	12.7	12.7	63.5	38.1	42.9	17.5	M12	SSUC207-20		1.38
SSUCFLSO207-21	1-3/8														SSUC207-21		
SSUCFLSO207-22	1-7/16														SSUC207-22		
SSUCFLSO207-23	1-7/16														SSUC207-23		