

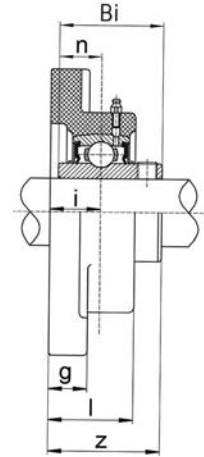
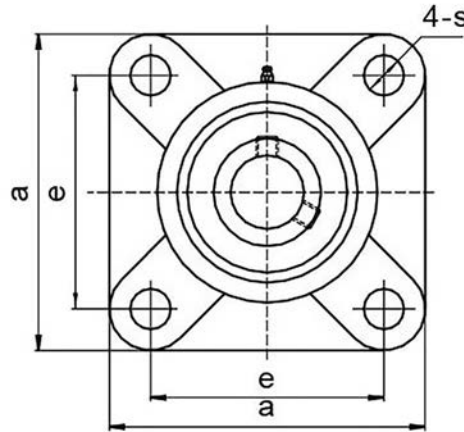


CORROSION RESISTANT PRODUCTS



THERMOPLASTIC FOUR BOLT FLANGE - Stainless Steel Insert SSUCTPF 200 Series

Solid Base
Normal Duty
Set Screw Locking



Unit No.	Shaft Dia.		Dimensions inch / mm									Bolt Size	Bearing No.	Housing No.	Weight Lbs kg
	In.	mm	a	e	g	l	s	z	i	Bi	n				
SSUCTPF201-8	1/2												SSUC201-8		
202-10	5/8		3-3/8	2-1/2	17/32	1-3/32	7/16	1-23/64	41/64	1.221	0.500	3/8	202-10	TPF204	0.66
204		20	85.7	63.5	13.5	27.8	11.1	34.5	16.3	31.0	12.7	M8	204		0.30
204-12	3/4												204-12		
SSUCTPF205		25											SSUC205		
205-14	7/8		3-3/4	2-3/4	9/16	1-1/8	7/16	1-7/16	21/32	1.339	0.563	3/8	205-14	TPF205	0.77
205-15	15/16		95.3	69.9	14.3	28.6	11.1	36.5	16.7	34.0	14.3	M8	205-15		0.35
205-16	1												205-16		
SSUCTPF206		30											SSUC206		
206-17	1-1/16												206-17		
206-18	1-1/8		4-7/32	3-9/32	9/16	1-1/4	7/16	1-5/8	3/4	1.500	0.626	3/8	206-18	TPF206	1.12
206-19	1-3/16		107.2	83.3	14.3	31.8	11.1	41.3	19.1	38.1	15.9	M8	206-19		0.51
206-20	1-1/4S												206-20		
SSUCTPF207		35											SSUC207		
207-20	1-1/4												207-20		
207-21	1-5/16		4-5/8	3-5/8	39/64	1-23/64	1/2	1-27/32	3/4	1.689	0.689	7/16	207-21	TPF207	1.61
207-22	1-3/8		117.5	92.1	15.5	34.5	12.7	44.5	19.1	42.9	17.5	M10	207-22		0.73
207-23	1-7/16												207-23		
SSUCTPF208		40											SSUC208		
208-24	1-1/2		5-1/8	4-1/64	21/32	1-7/16	9/16	2-3/32	29/32	1.937	0.748	7/16	208-24	TPF208	2.22
208-25	1-9/16		130.2	102.0	16.7	36.5	14.3	53.2	23.0	49.2	19.0	M10	208-25		1.01
SSUCTPF209		45											SSUC209		
209-26	1-5/8		5-3/8	4-1/8	3/4	1-5/8	21/32	2-1/8	15/16	1.937	0.748	1/2	209-26	TPF209	2.60
209-27	1-11/16		136.5	104.8	19.1	41.3	16.7	54.0	23.8	49.2	19.0	M16	209-27		1.18
209-28	1-3/4												209-28		
SSUCTPF210		50											SSUC210		
210-30	1-7/8		5-5/8	4-3/8	13/16	1-11/16	21/32	2-17/64	31/32	2.032	0.748	1/2	210-30	TPF210	2.86
210-31	1-15/16		142.9	111.1	21.0	43.0	16.7	57.5	24.6	51.6	19.0	M16	210-31		1.30
210-32	2S												210-32		