

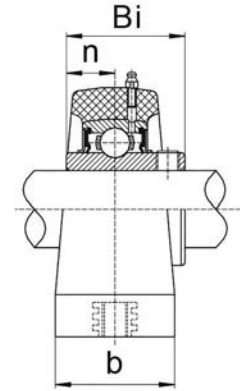
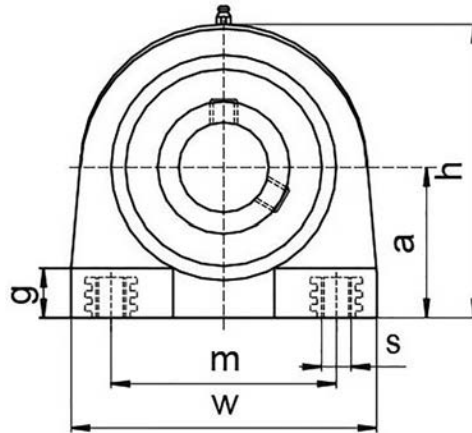


CORROSION RESISTANT PRODUCTS



THERMOPLASTIC TAP BASE PILLOW BLOCK - Stainless Steel Insert SSUCTPTB 200 Series

Normal Duty
Set Screw Locking
Inch Bolt Holes



Unit No.	Shaft Dia.		Dimensions inch / mm									Bearing No.	Housing No.	Weight Lbs / kg
	In.	mm	a	b	h	m	w	s	Bi	n	g			
SSUCTPTB201-8 202-10 204 204-12	1/2											SSUC201-8		
	5/8		1-5/16	1-23/64	2-19/32	2	2-7/8	3/8-16	1.221	0.500	1/2	202-10	TPTB204	0.59
		20	33.3	34.5	65.9	50.8	73.0		31.0	12.7	12.7	204		0.27
SSUCTPTB205 205-14 205-15 205-16		25										SSUC205		
	7/8		1-7/16	1-9/16	2-57/64	2	3	3/8-16	1.343	0.563	1/2	205-14	TPTB205	0.69
	15/16		36.5	39.7	73.4	50.8	76.2		34.1	14.3	12.7	205-15		0.31
SSUCTPTB206 206-17 206-18 206-19 206-20		30										SSUC206		
	1-1/16											206-17		
	1-1/8		1-11/16	1-43/64	3-5/16	3	3-31/32	7/16-14	1.500	0.626	5/8	206-18	TPTB206	1.10
SSUCTPTB207 207-20 207-21 207-22 207-23		35										SSUC207		
	1-1/4											207-20		
	1-5/16		1-7/8	1-7/8	3-3/4	3-1/4	4-11/32	1/2-13	1.689	0.689	23/32	207-21	TPTB207	1.61
SSUCTPTB208 208-24 208-25		40										SSUC208		
	1-1/2		1-15/16	1-57/64	3-61/64	3-1/2	4-23/32	1/2-13	1.937	0.748	25/32	208-24	TPTB208	2.07
	1-9/16		49.2	48.0	100.4	88.9	119.9		49.2	19.0	19.8	208-25		0.94
SSUCTPTB209 209-26 209-27 209-28		45										SSUC209		
	1-5/8		2-1/8	1-31/32	4-17/64	3-3/4	4-7/8	1/2-13	1.937	0.748	25/32	209-26	TPTB209	2.42
	1-11/16		54.0	50.0	108.3	95.3	123.8		49.2	19.0	19.8	209-27		1.10
SSUCTPTB210 210-30 210-31 210-32		50										SSUC210		
	1-7/8		2-1/4	2-1/8	4-17/32	4	5-5/16	5/8-11	2.032	0.748	7/8	210-30	TPTB210	2.73
	1-15/16		57.2	54.0	115.1	101.6	134.9		51.6	19.0	22.2	210-31		1.24
	2S											210-32		