

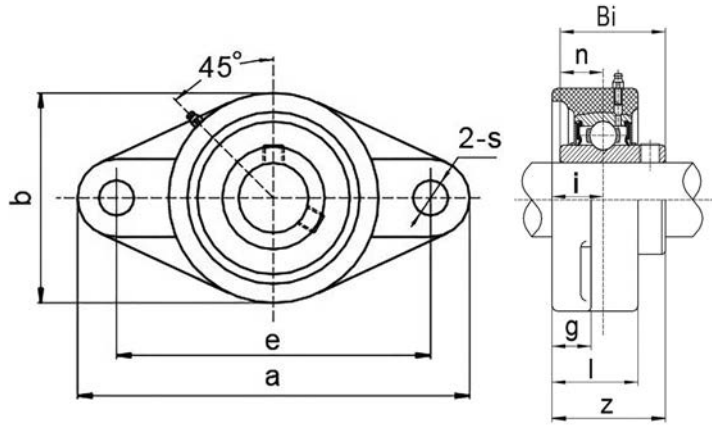


CORROSION RESISTANT PRODUCTS



THERMOPLASTIC TWO BOLT FLANGE - Stainless Steel Insert SSUCTPFL 200 Series

Solid Base
Normal Duty
Set Screw Locking



| Unit No. | Shaft Dia. | | Dimensions inch / mm | | | | | | | | | | Bolt Size | Bearing No. | Housing No. | Weight Lbs kg | |
|---|------------|----|----------------------|----------------|----------------|--------------|----------------|--------------|----------------|--------------|--------------|--------------|------------|-------------|-------------|---------------------|--|
| | In. | mm | a | e | b | g | l | s | z | i | Bi | n | | | | | |
| SSUCTPFL201-8 202-10 204 204-12 | 1/2 | | | | | | | | | | | | | | SSUC201-8 | | |
| | 5/8 | | 4-7/16 | 3-35/64 | 2-9/16 | 17/32 | 1-3/64 | 7/16 | 1-5/16 | 19/32 | 1.221 | 0.500 | 3/8 | 202-10 | TPFL204 | 0.57 | |
| | | 20 | 112.7 | 90.1 | 65.1 | 13.5 | 26.6 | 11.1 | 33.3 | 15.1 | 31.0 | 12.7 | M8 | 204 | | 0.26 | |
| | 3/4 | | | | | | | | | | | | | 204-12 | | | |
| SSUCTPFL205 205-14 205-15 205-16 | | 25 | | | | | | | | | | | | SSUC205 | | | |
| | 7/8 | | 5-5/32 | 3-57/64 | 2-3/4 | 9/16 | 1-7/64 | 7/16 | 1-27/64 | 21/32 | 1.343 | 0.563 | 3/8 | 205-14 | TPFL205 | 0.68 | |
| | 15/16 | | 131.0 | 98.8 | 69.9 | 14.3 | 28.2 | 11.1 | 36.1 | 16.7 | 34.1 | 14.3 | M8 | 205-15 | | 0.31 | |
| | 1 | | | | | | | | | | | | | 205-16 | | | |
| SSUCTPFL206 206-17 206-18 206-19 206-20 | | 30 | | | | | | | | | | | | SSUC206 | | | |
| | 1-1/16 | | | | | | | | | | | | | 206-17 | | | |
| | 1-1/8 | | 5-13/16 | 4-19/32 | 3-5/32 | 9/16 | 1-13/64 | 7/16 | 1-37/64 | 23/32 | 1.500 | 0.626 | 3/8 | 206-18 | TPFL206 | 1.01 | |
| | 1-3/16 | | 147.6 | 116.7 | 80.2 | 14.3 | 30.6 | 11.1 | 40.1 | 18.3 | 38.1 | 15.9 | M8 | 206-19 | | 0.46 | |
| | 1-1/4S | | | | | | | | | | | | | 206-20 | | | |
| SSUCTPFL207 207-20 207-21 207-22 207-23 | | 35 | | | | | | | | | | | | SSUC207 | | | |
| | 1-1/4 | | | | | | | | | | | | | 207-20 | | | |
| | 1-5/16 | | 6-7/16 | 5-1/8 | 3-35/64 | 39/64 | 1-17/64 | 1/2 | 1-3/4 | 3/4 | 1.689 | 0.689 | 1/2 | 207-21 | TPFL207 | 1.41 | |
| | 1-3/8 | | 163.5 | 130.2 | 90.1 | 15.5 | 32.1 | 12.7 | 44.5 | 19.1 | 42.9 | 17.5 | M10 | 207-22 | | 0.64 | |
| | 1-7/16 | | | | | | | | | | | | | 207-23 | | | |
| SSUCTPFL208 208-24 208-25 | | 40 | | | | | | | | | | | | SSUC208 | | | |
| | 1-1/2 | | 6-15/16 | 5-11/16 | 3-15/16 | 21/32 | 1-3/8 | 9/16 | 2-1/32 | 27/32 | 1.937 | 0.748 | 1/2 | 208-24 | TPFL208 | 1.91 | |
| | 1-9/16 | | 176.2 | 144.5 | 100.0 | 16.7 | 34.9 | 14.3 | 51.6 | 21.4 | 49.2 | 19.0 | M10 | 208-25 | | 0.87 | |
| SSUCTPFL209 209-26 209-27 209-28 | | 45 | | | | | | | | | | | | SSUC209 | | | |
| | 1-5/8 | | 7-7/16 | 5-7/8 | 4-1/4 | 13/16 | 1-5/8 | 21/32 | 2-1/8 | 15/16 | 1.937 | 0.748 | 1/2 | 209-26 | TPFL209 | 2.24 | |
| | 1-11/16 | | 188.9 | 149.2 | 108.0 | 20.6 | 41.3 | 16.7 | 54.0 | 23.8 | 49.2 | 19.0 | M16 | 209-27 | | 1.02 | |
| | 1-3/4 | | | | | | | | | | | | | 209-28 | | | |
| SSUCTPFL210 210-30 210-31 210-32 | | 50 | | | | | | | | | | | | SSUC210 | | | |
| | 1-7/8 | | 7-3/4 | 6-3/16 | 4-17/32 | 13/16 | 1-11/16 | 21/32 | 2-17/64 | 31/32 | 2.032 | 0.748 | 5/8 | 210-30 | TPFL210 | 2.50 | |
| | 1-15/16 | | 196.9 | 157.2 | 115.1 | 20.6 | 42.9 | 16.7 | 57.5 | 24.6 | 51.6 | 19.0 | M16 | 210-31 | | 1.14 | |
| | 2S | | | | | | | | | | | | | 210-32 | | | |