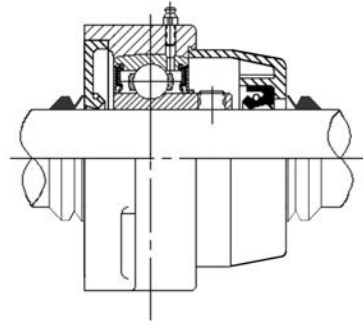




CORROSION RESISTANT PRODUCTS



POLY-GUARD IP69K SEAL KITS for KML Stainless Steel Stand-Out Flange Units Through Shaft Application with SSFSO, SSFLSO, SSFBSO



Seal Kit Part Number	Shaft Dia.		Shaft Type	Kit Components		
	Inch	mm		Open Cap - 1 pc.	Back Seal - 1 pc.	V-Ring - 2 pcs.
FIP69K-2 OC MM		20	through shaft	OC204 Open Cap with seal	BS204	VS020 20mm V-ring
FIP69K-12 OC	3/4			OC204-12 Open Cap with seal	BS204-12	
FIP69K-25 OC MM		25	through shaft	OC205 Open Cap with seal	BS205	VS025 25mm V-ring
FIP69K-16 OC	1			OC205-16 Open Cap with seal	BS205-16	
FIP69K-30 OC MM		30	through shaft	OC206 Open Cap with seal	BS206	VS030 30mm V-ring
FIP69K-19 OC	1-3/16			OC206-19 Open Cap with seal	BS206-19	
FIP69K-20S OC	1-1/4S		through shaft	OC206-20 Open Cap with seal	BS206-20	VS032 32mm V-ring
FIP69K-35 OC MM		35		OC207 Open Cap with seal	BS207	
FIP69K-20 OC	1-1/4		through shaft	OC207-20 Open Cap with seal	BS207-20	VS032 32mm V-ring
FIP69K-22 OC	1-3/8			OC207-22 Open Cap with seal	BS207-22	
FIP69K-23 OC	1-7/16		through shaft	OC207-23 Open Cap with seal	BS207-23	VS035 35mm V-ring
FIP69K-40 OC MM		40		OC208 Open Cap with seal	BS208	
FIP69K-24 OC	1-1/2		through shaft	OC208-24 Open Cap with seal	BS208-24	VS038 38mm V-ring
FIP69K-25 OC	1-9/16			OC208-25 Open Cap with seal	BS208-25	