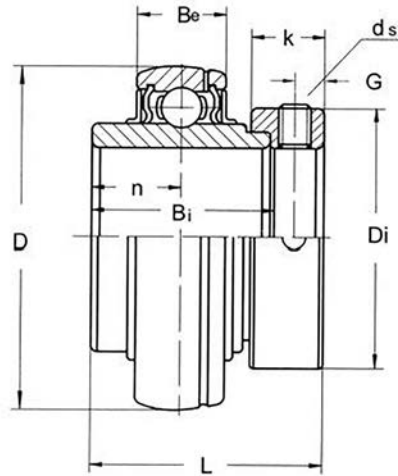




# WIDE INNER RING BEARINGS



**SSHC 200 Series**  
 Normal Duty  
 Eccentric Collar Locking



Unit No.	Shaft Dia. Inch	Dimensions inch / mm									Basic load Ratings lbf / N		Weight	
		D	L	Bi	Be	n	Di	K	G	ds	dynamic c	static Co	kg	Lbs
SSHC205-16	1	2.04724 52.0	1-3/4 44.5	1-3/8 34.9	21/32 16.7	11/16 17.5	1-1/2 38.1	17/32 13.5	0.197 5.0	1/4-28UNF	3150 14000	1700 7560	0.23	0.51
SSHC206-19	1-3/16	2.44094 62.0	1-29/32 48.4	1-7/16 36.5	3/4 19.1	23/32 18.3	1-3/4 44.5	5/8 15.9	0.236 6.0	5/16-24UNF	4390 19510	2510 11160	0.36	0.79
SSHC206-20	1-1/4S												0.40	0.88
SSHC207-20	1-1/4	2.83465 72.0	2-1/64 51.2	1-31/64 37.7	25/32 19.8	3/4 19.1	2-3/16 55.6	11/16 17.5	0.256 6.5	5/16-24UNF	5770 25648	3450 15340	0.66	1.45
SSHC207-23	1-7/16												0.58	1.28
SSHC208-24	1-1/2	3.14961 80.0	2-7/32 56.4	1-11/16 42.9	13/16 20.6	27/32 21.4	2-3/8 60.3	23/32 18.3	0.256 6.5	5/16-24UNF	6500 28890	3850 17110	0.86	1.89