

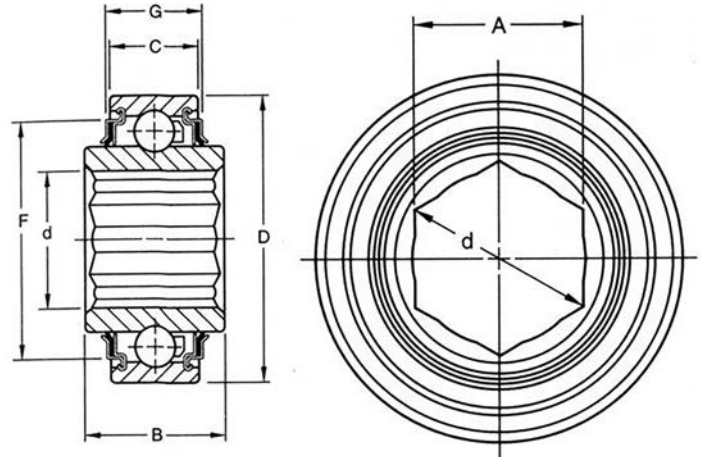


AGRICULTURAL BEARINGS



BALL BEARINGS

Hex Bore Series



Type 1

Hex Bore - Cylindrical OD									
KML Part Number	Hex Shaft Size Inch	Hex Bore		Width		Diameter	Load Rating		Weight lbs
		'A' Across Flats Nominal In / mm	'd' Across Hex Corners In / mm	'B' Inner Ring Width In / mm	'C' Inner Ring Width In / mm	'D' Outside Diameter In / mm	Cor Static Load Rating lbf / N	Cr Dynamic Load Rating lbf / N	
204KRR2	11/16"	0.696 17.65	0.796 20.22	0.825 20.96	0.551 14	1.8504 47	1400 6200	3200 14300	0.32
205KRR2	7/8"	0.876 22.225	1.010 25.65	1.00 25.4	0.591 15	2.0472 52	1560 6950	3450 15600	0.44
206KRR6	1"	1.001 25.425	1.152 29.26	0.945 24	0.630 16	2.4409 62	2280 10000	4800 21600	0.75
W208PP21	1-1/4"	1.251 31.77	1.443 36.65	1.438 36.53	0.709 18	3.1496 80	4000 17600	8150 36000	1.45