



BEARING UNITS



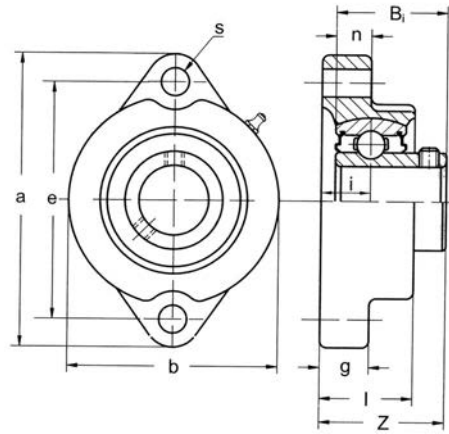
TWO BOLT FLANGE UNITS - Compact Design

SBLF 200 Series

Normal Duty

Set Screw Locking

Round Bolt Holes



Unit No.	Shaft Dia.		Dimensions Inch / mm										Bolt Size	Bearing No.	Housing No.	Weight Lbs/kg
	Inch	mm	a	e	i	g	l	s	b	z	Bi	n				
SBLF 201-8	1/2		3-3/16	2-1/2	3/8	3/8	23/32	5/16	2-7/32	1	0.866	0.236	1/4	SB 201-8	LF203	0.59
202-10	5/8		81.0	63.5	9.5	9.5	18.3	7.9	56.4	25.4	22.0	6.0	M6	SB 202-10		0.27
SBLF 204		20	3-35/64	2-13/16	7/16	7/16	25/32	13/32	2-13/32	1-3/16	0.984	0.276	5/16	SB 204	LF204	0.66
204-12	3/4		90.1	71.4	11.1	11.1	19.8	10.3	61.1	30.2	25.0	7.0	M8	SB 204-12		0.30
SBLF 205		25												SB 205		
205-14	7/8		3-3/4	3	7/16	7/16	25/32	13/32	2-33/64	1-1/4	1.063	0.295	5/16	SB 205-14	LF205	0.86
205-15	15/16		95.3	76.2	11.1	11.1	19.8	10.3	63.9	31.8	27.0	7.5	M8	SB 205-15		0.39
205-16	1													SB 205-16		
SBLF 206		30												SB 206		
206-17	1-1/16													SB 206-17		
206-18	1-1/8		4-7/16	3-9/16	15/32	15/32	7/8	15/32	2-63/64	1-11/32	1.181	0.315	3/8	SB 206-18	LF206	1.25
206-19	1-3/16		112.7	90.5	11.9	11.9	22.2	11.9	75.8	34.1	30.0	8.0	M10	SB 206-19		0.57
206-20	1-1/4S													SB 206-20		
SBLF 207		35												SB 207		
207-20	1-1/4													SB 207-20		
207-21	1-5/16		4-13/16	3-15/16	1/2	1/2	15/16	15/32	3-1/2	1-13/32	1.260	0.335	3/8	SB 207-21	LF207	1.69
207-22	1-3/8		122.2	100.0	12.7	12.7	23.8	11.9	88.9	35.7	32.0	8.5	M10	SB 207-22		0.77
207-23	1-7/16													SB 207-23		