



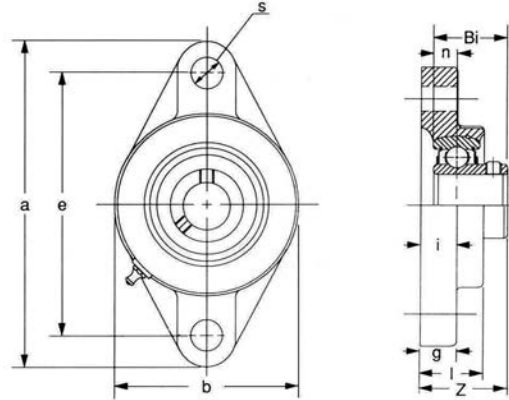
# BEARING UNITS



## TWO BOLT FLANGE UNITS

### SBFT 200 Series

Normal Duty  
Set Screw Locking  
Housings Marked FLU



Unit No.	Shaft Dia.		Dimensions inch / mm										Bolt Size	Bearing No.	Housing No.	Weight Lbs kg												
	In.	mm	a	e	i	g	l	s	b	z	Bi	n																
SBFT 204	3/4	20	4-7/16	3-35/64	3/4	19/32	1-11/64	29/64	2-13/32	1-29/64	0.984	0.276	5/16	SB 204	FT204	1.05 0.48												
204-12		112.7	90.5	19.1	15.1	29.8	11.5	61.1	36.9	25.0	7.0	M8	204-12															
SBFT 205	7/8	25	4-29/32	3-57/64	3/4	19/32	1-3/16	29/64	2-3/4	1-33/64	1.063	0.295	3/8	SB 205	FT205	1.35 0.61												
205-14														124.6			98.8	19.1	15.1	30.2	11.5	69.9	38.5	27.0	7.5	M10	205-14	
205-15														15/16														205-15
205-16														1														205-16
SBFT 206	1-1/16	30	5-19/32	4-19/32	25/32	5/8	1-9/32	29/64	3-3/16	1-21/32	1.181	0.315	3/8	SB 206	FT206	2.05 0.93												
206-17														142.1			116.7	19.8	15.9	32.5	11.5	81.0	42.1	30.0	8.0	M10	206-17	
206-18														1-1/8														206-18
206-19														1-3/16														206-19
206-20	1-1/4S												206-20															
SBFT 207	1-1/4	35	6-3/16	5-1/8	13/16	21/32	1-13/32	9/16	3-11/16	1-3/4	1.260	0.335	7/16	SB 207	FT207	2.80 1.27												
207-20														157.2			130.2	20.6	16.7	35.7	14.3	93.7	44.5	32.0	8.5	M12	207-20	
207-21														1-5/16														207-21
207-22														1-3/8														207-22
207-23	1-7/16												207-23															
SBFT 208	1-1/2	40	6-25/32	5-41/64	15/16	21/32	1-17/32	9/16	4-5/64	1-59/64	1.339	0.354	7/16	SB 208	FT208	3.30 1.50												
208-24														172.2			143.3	23.8	16.7	38.9	14.3	103.6	48.8	34.0	9.0	M12	208-24	