



BEARING UNITS



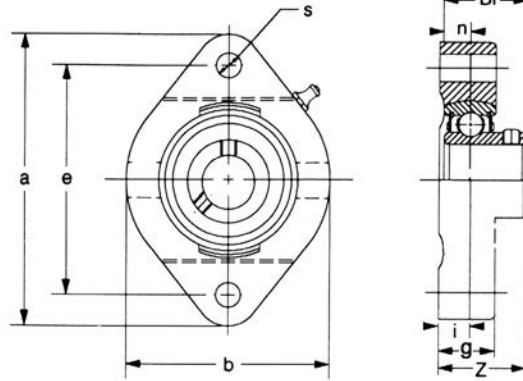
TWO BOLT FLANGE UNITS - Flush Mount Design

SBFD 200 Series

Normal Duty

Set Screw Locking

Round Bolt Holes



Unit No.	Shaft Dia.		Dimensions inch/mm									Bolt Size	Bearing No.	Housing No.	Weight Lbs kg
	In.	mm	a	e	i	g	s	b	z	Bi	n				
SBFD 201-8 202-10	1/2 5/8		3-3/16 81.0	2-15/32 62.7	11/32 8.7	19/32 15.1	5/16 7.9	2-21/64 59.1	15/16 23.8	0.866 22.0	0.236 6.0	1/4 M6	SB 201-8 202-10	FD203	0.70 0.32
SBFD 204 204-12	3/4	20	3-35/64 90.1	2-51/64 71.0	3/8 9.5	21/32 16.7	13/32 10.3	2-3/4 69.9	1-3/32 27.8	0.984 25.0	0.276 7.0	5/16 M8	SB 204 204-12	FD204	1.10 0.50
SBFD 205 205-14 205-15 205-16	7/8 15/16 1	25	3-3/4 95.3	3 76.2	3/8 9.5	21/32 16.7	13/32 10.3	2-51/64 71.0	1-3/16 30.2	1.063 27.0	0.295 7.5	5/16 M8	SB 205 205-14 205-15 205-16	FD205	1.30 0.59
SBFD 206 206-17 206-18 206-19 206-20	1-1/16 1-1/8 1-3/16 1-1/4S	30	4-7/16 112.7	3-35/64 90.1	15/32 11.9	13/16 20.6	15/32 11.9	3-5/16 84.1	1-11/32 34.1	1.181 30.0	0.315 8.0	3/8 M10	SB 206 206-17 206-18 206-19 206-20	FD206	1.80 0.82
SBFD 207 207-20 207-21 207-22 207-23	1-1/4 1-5/16 1-3/8 1-7/16	35	4-29/32 124.6	3-15/16 100.0	1/2 12.7	7/8 22.2	15/32 11.9	3-11/16 93.7	1-13/32 35.7	1.260 32.0	0.335 8.5	3/8 M10	SB 207 207-20 207-21 207-22 207-23	FD207	2.20 1.00