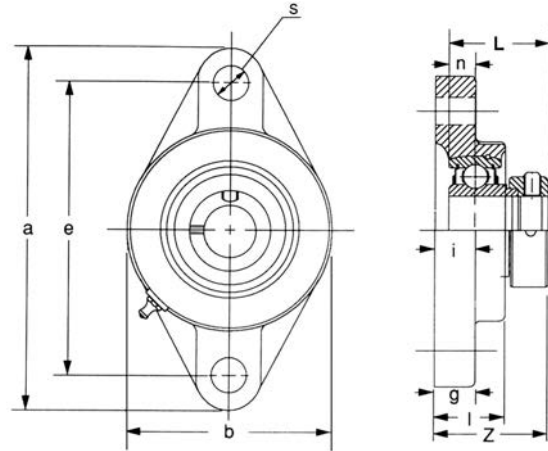




BEARING UNITS



TWO BOLT FLANGE UNITS SAFL 200 Series Normal Duty Eccentric Collar Locking



| Unit No. | Shaft Dia. | | Dimensions inch / mm | | | | | | | | | | Bolt Size | Bearing No. | Housing No. | Weight Lbs kg |
|--------------------------------------------------|-------------------------------------|----|----------------------|------------------|---------------|---------------|-----------------|---------------|------------------|-----------------|---------------|---------------|------------|------------------------------------------------|-------------|---------------------|
| | In. | mm | a | e | i | g | l | s | b | z | L | n | | | | |
| SAFL 201-8 202-10 | 1/2 5/8 | | 3-57/64 98.8 | 2-63/64 75.8 | 1/2 12.7 | 13/32 10.3 | 1 25.4 | 15/32 11.9 | 2-1/8 54.0 | 1-13/32 35.7 | 1.126 28.6 | 0.236 6.0 | 3/8 M10 | SA 201-8 202-10 | FL203 | 0.90 0.41 |
| SAFL 204 204-12 | 3/4 | 20 | 4-7/16 112.7 | 3-35/64 90.1 | 19/32 15.1 | 7/16 11.1 | 1 25.4 | 15/32 11.9 | 2-3/8 60.3 | 1-17/32 38.9 | 1.220 31.0 | 0.276 7.0 | 3/8 M10 | SA 204 204-12 | FL204 | 0.95 0.43 |
| SAFL 205 205-14 205-15 205-16 | 7/8 15/16 1 | 25 | 5-1/8 130.2 | 3-57/64 98.8 | 5/8 15.9 | 1/2 12.7 | 1-1/16 27.0 | 5/8 15.9 | 2-11/16 68.3 | 1-9/16 39.7 | 1.220 31.0 | 0.295 7.5 | 1/2 M14 | SA 205 205-14 205-15 205-16 | FL205 | 1.17 0.53 |
| SAFL 206 206-17 206-18 206-19 206-20 | 1-1/16 1-1/8 1-3/16 1-1/4S | 30 | 5-13/16 147.6 | 4-19/32 116.7 | 23/32 18.3 | 1/2 12.7 | 1-1/4 31.8 | 5/8 15.9 | 3-5/32 80.2 | 1-51/64 45.6 | 1.406 35.7 | 0.315 8.0 | 1/2 M14 | SA 206 206-17 206-18 206-19 206-20 | FL206 | 1.85 0.84 |
| SAFL 207 207-20 207-21 207-22 207-23 | 1-1/4 1-5/16 1-3/8 1-7/16 | 35 | 6-11/32 161.1 | 5-1/8 130.2 | 3/4 19.1 | 19/32 15.1 | 1-11/32 34.1 | 5/8 15.9 | 3-35/64 90.1 | 1-15/16 49.2 | 1.531 38.9 | 0.335 8.5 | 1/2 M14 | SA 207 207-20 207-21 207-22 207-23 | FL207 | 2.77 1.26 |
| SAFL 208 208-24 208-25 | 1-1/2 1-9/16 | 40 | 6-7/8 174.6 | 5-11/16 144.5 | 13/16 20.6 | 19/32 15.1 | 1-13/32 35.7 | 5/8 15.9 | 3-15/16 100.0 | 2-3/16 55.6 | 1.720 43.7 | 0.354 9.0 | 1/2 M14 | SA 208 208-24 208-25 | FL208 | 3.48 1.58 |
| SAFL 209 209-26 209-27 209-28 | 1-5/8 1-11/16 1-3/4 | 45 | 7-13/32 188.1 | 5-13/16 147.6 | 7/8 22.2 | 5/8 15.9 | 1-1/2 38.1 | 3/4 19.1 | 4-1/4 108.0 | 2-7/32 56.4 | 1.720 43.7 | 0.374 9.5 | 5/8 M16 | SA 209 209-26 209-27 209-28 | FL209 | 4.40 2.00 |
| SAFL 210 210-30 210-31 210-32 | 1-7/8 1-15/16 2S | 50 | 7-3/4 196.9 | 6-3/16 157.2 | 7/8 22.2 | 5/8 15.9 | 1-9/16 39.7 | 3/4 19.1 | 4-9/16 115.9 | 2-3/16 55.6 | 1.720 43.7 | 0.394 10.0 | 5/8 M16 | SA 210 210-30 210-31 210-32 | FL210 | 4.95 2.25 |