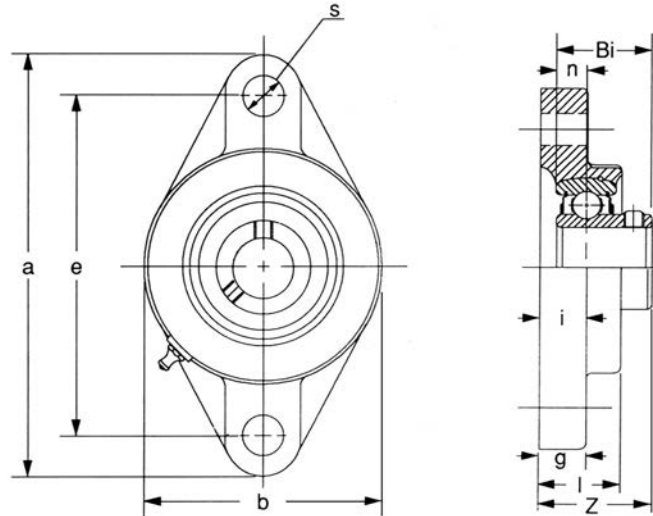




BEARING UNITS



TWO BOLT FLANGE UNITS SBFL 200 Series Normal Duty Set Screw Locking



Unit No.	Shaft Dia.		Dimensions inch / mm										Bolt Size	Bearing No.	Housing No.	Weight Lbs kg
	In.	mm	a	e	i	g	l	s	b	z	Bi	n				
SBFL 201-8 202-10	1/2 5/8		3-57/64 98.8	2-63/64 75.8	1/2 12.7	13/32 10.3	1 25.4	15/32 11.9	2-1/8 54.0	1-3/16 30.2	0.866 22.0	0.236 6.0	3/8 M10	SB 201-8 202-10	FL203	0.84 0.38
SBFL 204 204-12	3/4	20	4-7/16 112.7	3-35/64 90.1	19/32 15.1	7/16 11.1	1 25.4	15/32 11.9	2-3/8 60.3	1-19/64 32.9	0.984 25.0	0.276 7.0	3/8 M10	SB 204 204-12	FL204	0.88 0.40
SBFL 205 205-14 205-15 205-16	7/8 15/16 1	25	5-1/8 130.2	3-57/64 98.8	5/8 15.9	1/2 12.7	1-1/16 27.0	5/8 15.9	2-11/16 68.3	1-13/32 35.7	1.063 27.0	0.295 7.5	1/2 M14	SB 205 205-14 205-15 205-16	FL205	1.10 0.5
SBFL 206 206-17 206-18 206-19 206-20	1-1/16 1-1/8 1-3/16 1-1/4S	30	5-13/16 147.6	4-19/32 116.7	23/32 18.3	1/2 12.7	1-1/4 31.8	5/8 15.9	3-5/32 80.2	1-9/16 39.7	1.181 30.0	0.315 8.0	1/2 M14	SB 206 206-17 206-18 206-19 206-20	FL206	1.76 0.8
SBFL 207 207-20 207-21 207-22 207-23	1-1/4 1-5/16 1-3/8 1-7/16	35	6-11/32 161.1	5-1/8 130.2	3/4 19.1	19/32 15.1	1-11/32 34.1	5/8 15.9	3-35/64 90.1	1-43/64 42.5	1.260 32.0	0.335 8.5	1/2 M14	SB 207 207-20 207-21 207-22 207-23	FL207	2.60 1.18
SBFL 208 208-24 208-25	1-1/2 1-9/16	40	6-7/8 174.6	5-11/16 144.5	13/16 20.6	19/32 15.1	1-13/32 35.7	5/8 15.9	3-15/16 100.0	1-13/16 46.0	1.339 34.0	0.354 9.0	1/2 M14	SB 208 208-24 208-25	FL208	3.39 1.54
SBFL 209 209-26 209-27 209-28	1-5/8 1-11/16 1-3/4	45	7-13/32 188.1	5-13/16 147.6	7/8 22.2	5/8 15.9	1-1/2 38.1	3/4 19.1	4-1/4 108.0	2-1/8 54.0	1.625 41.3	0.375 9.5	5/8 M16	SB 209 209-26 209-27 209-28	FL209	4.25 1.93
SBFL 210 210-30 210-31 210-32	1-7/8 1-15/16 2S	50	7-3/4 196.9	6-3/16 157.2	7/8 22.2	5/8 15.9	1-9/16 39.7	3/4 19.1	4-9/16 115.9	2-3/16 55.6	1.688 42.9	0.394 10.0	5/8 M16	SB 210 210-30 210-31 210-32	FL210	4.35 1.98