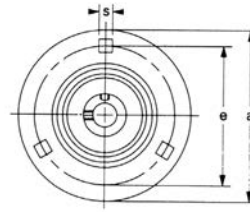




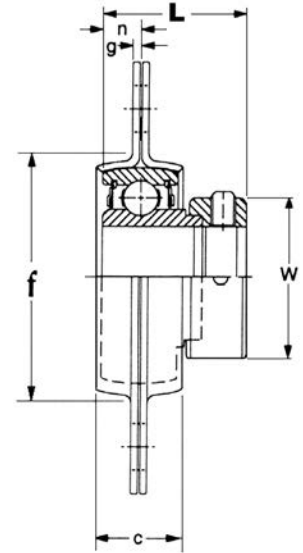
# BEARING UNITS



## ROUND FLANGETTE UNITS - Three Bolt Mount SAPF 200 Series Normal Duty Eccentric Collar Locking



PF203 - PF207



Unit No.	Shaft Dia.		Dimensions inch / mm									Bolt Size	No. of Bolt Holes	Bearing No.	Housing No.	Weight Lbs / kg
	In.	mm	a	e	g	c	s	f	L	n	W					
SAPF 201-8 202-10	1/2 5/8		3-3/16 81.0	2-33/64 63.9	5/64 2.0	9/16 14.3	9/32 7.1	1.59/64 48.8	1.126 28.6	0.236 6.0	1-1/8 28.6	1/4 M6	3	SA 201-8 202-10	PF203	0.68 0.31
SAPF 204 204-12	3/4	20	3-35/64 90.1	2-51/64 71.0	3/32 2.4	5/8 15.9	11/32 8.7	2-7/32 56.4	1.220 31.0	0.276 7.0	1-1/4 31.8	5/16 M8	3	SA 204 204-12	PF204	0.77 0.35
SAPF 205 205-14 205-15 205-16	7/8 15/16 1	25	3-3/4 95.3	2-63/64 75.8	3/32 2.4	21/32 16.7	11/32 8.7	2-19/32 65.9	1.220 31.0	0.295 7.5	1-1/2 38.1	5/16 M8	3	SA 205 205-14 205-15 205-16	PF205	0.88 0.40
SAPF 206 206-17 206-18 206-19 206-20	1-1/16 1-1/8 1-3/16 1-1/4S	30	4-7/16 112.7	3-35/64 90.1	7/64 2.8	21/32 16.7	13/32 10.3	2-51/64 71.0	1.406 35.7	0.315 8.0	1-3/4 44.5	3/8 M10	3	SA 206 206-17 206-18 206-19 206-20	PF206	1.50 0.68
SAPF 207 207-20 207-21 207-22 207-23	1-1/4 1-5/16 1-3/8 1-7/16	35	4-13/16 122.2	3-15/16 100.0	7/64 2.8	3/4 19.1	13/32 10.3	3-3/16 81.0	1.531 38.9	0.335 8.5	2-15/64 56.8	3/8 M10	3	SA 207 207-20 207-21 207-22 207-23	PF207	1.85 0.84

Standard Stock Item is Zinc Plated.