



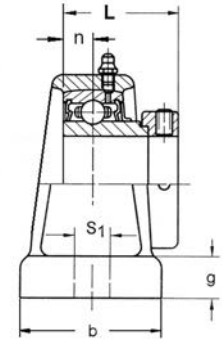
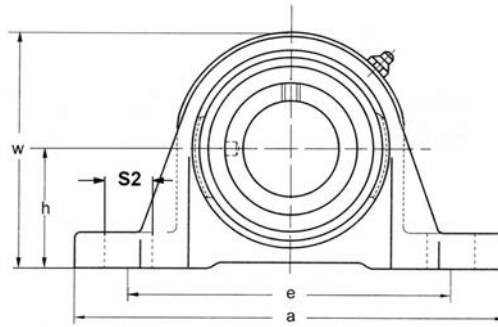
BEARING UNITS



PILLOW BLOCKS - Standard Shaft Height

SAPE 200 Series

Normal Duty
Eccentric Collar Locking
Solid Base



Unit No.	Shaft Dia.		Dimensions inch / mm										Bolt Size	Bearing No.	Housing No.	Weight Lbs kg
	In.	mm	h	a	e	b	S1	S2	g	w	L	n				
SAPE 201-8 202-10	1/2 5/8		1-3/16 30.2	4-7/8 123.8	3-3/4 95.3	1-7/32 31.0	7/16 11.1	19/32 15.1	9/16 14.3	2-1/4 57.2	1.126 28.6	0.236 6	3/8 M10	SA 201-8 202-10	PE203	0.99 0.45
SAPE 204 204-12	3/4	20	1-5/16 33.3	5 127.0	3-3/4 95.3	1-1/2 38.1	1/2 12.7	5/8 15.9	19/32 15.1	2-9/16 65.1	1.220 31.0	0.276 7	7/16 M12	SA 204 204-12	PE204	1.21 0.55
SAPE 205 205-14 205-15 205-16	7/8 15/16 1	25	1-7/16 36.5	5-1/2 139.7	4-1/8 104.8	1-1/2 38.1	1/2 12.7	5/8 15.9	5/8 15.9	2-3/4 69.9	1.220 31.0	0.295 7.5	1/2 M14	SA 205 205-14 205-15 205-16	PE205	1.76 0.80
SAPE 206 206-17 206-18 206-19 206-20	1-1/16 1-1/8 1-3/16 1-1/4S	30	1-11/16 42.9	6-1/2 165.1	4-49/64 121.0	1-7/8 47.6	21/32 16.7	13/16 20.6	23/32 18.3	3-9/32 83.3	1.406 35.7	0.315 8	1/2 M14	SA 206 206-17 206-18 206-19 206-20	PE206	2.64 1.20
SAPE 207 207-20 207-21 207-22 207-23	1-1/4 1-5/16 1-3/8 1-7/16	35	1-7/8 47.6	6-9/16 166.7	5 127.0	1-7/8 47.6	21/32 16.7	13/16 20.6	3/4 19.1	3-11/16 93.7	1.531 38.9	0.335 8.5	1/2 M14	SA 207 207-20 207-21 207-22 207-23	PE207	3.30 1.50
SAPE 208 208-24 208-25	1-1/2 1-9/16	40	1-15/16 49.2	7-1/4 184.2	5-25/64 136.9	2-1/8 54.0	21/32 16.7	31/32 24.6	3/4 19.1	3-15/16 100.0	1.719 43.7	0.354 9	1/2 M14	SA 208 208-24 208-25	PE208	4.40 2.00
SAPE 209 209-26 209-27 209-28	1-5/8 1-11/16 1-3/4	45	2-1/8 54.0	7-15/32 218.9	5-3/4 146.1	2-1/8 54.0	21/32 16.7	31/32 24.6	25/32 19.8	4-1/4 108.0	1.719 43.7	0.374 9.5	1/2 M14	SA 209 209-26 209-27 209-28	PE209	4.84 2.20
SAPE 210 210-30 210-31 210-32	1-7/8 1-15/16 2S	50	2-1/4 57.2	8-1/8 206.4	6-1/4 158.8	2-3/8 60.3	25/32 19.8	31/32 24.6	7/8 22.2	4-1/2 114.3	1.719 43.7	0.394 10	5/8 M16	SA 210 210-30 210-31 210-32	PE210	5.28 2.40
SAPE 211-32 211-35	2 2-3/16		2-1/2 63.5	8-5/8 219.1	6-23/32 170.7	2-3/8 60.3	25/32 19.8	31/32 24.6	7/8 22.2	4-31/32 126.2	1.906 48.4	0.472 12	3/4 M20	SA 211-32 211-35	PE211	8.60 3.91