

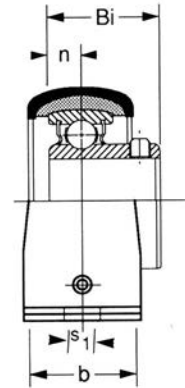
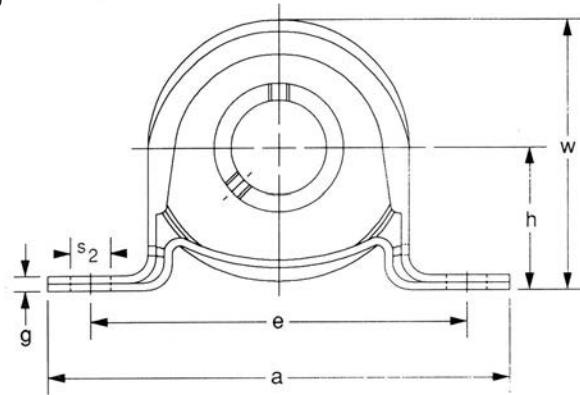
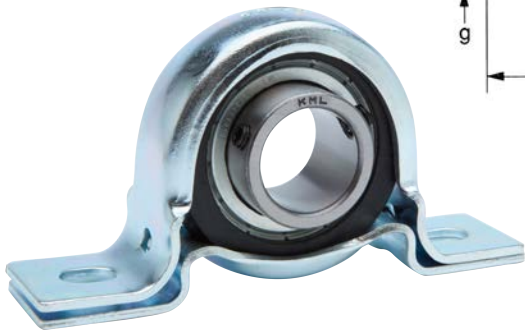


# BEARING UNITS



## RUBBER CUSHION PILLOW BLOCKS - Pressed Steel SBRPP 200 Series

Normal Duty  
Set Screw Locking



Unit No.	Shaft Dia.		Dimensions inch / mm										Bolt Size	Bearing No.	Housing No.	Rubber No.	Weight Lbs / kg
	In.	mm	h	a	e	b	S1	S2	g	w	Bi	n					
SBRPP 201-8 202-10	1/2 5/8		1 25.4	4-1/8 104.8	2-63/64 75.8	31/32 24.6	13/32 10.3	1/2 12.7	5/32 4.0	2-3/32 53.2	0.866 22.0	0.236 6.0	5/16 M8	SB 201-8 202-10	PP204ST	R-4	0.40 0.18
SBRPP 204 204-12	3/4	20	1-1/8 28.6	4-19/64 109.1	3-25/64 86.1	1-3/16 30.2	13/32 10.3	9/16 14.3	13/64 5.2	2-7/32 56.4	0.984 25.0	0.276 7.0	3/8 M10	SB 204 204-12	PP205ST	R-5	0.55 0.25
SBRPP 205 205-14 205-15 205-16	7/8 15/16 1	25	1-5/16 33.3	4-7/8 123.8	3-3/4 95.3	1-1/4 31.8	13/32 10.3	9/16 14.3	15/64 6.0	2-5/8 66.7	1.063 27.0	0.295 7.5	3/8 M10	SB 205 205-14 205-15 205-16	PP206ST	R-6	0.73 0.33
SBRPP 206 206-17 206-18 206-19 206-20	1-1/16 1-1/8 1-3/16 1-1/4	30	1-9/16 39.7	5-3/4 146.1	4-1/4 108.0	1-19/64 32.9	1/2 12.7	3/4 19.1	15/64 6.0	3-1/8 79.4	1.181 30.0	0.315 8.0	3/8 M10	SB 206 206-17 206-18 206-19 206-20	PP207ST	R-7	1.06 0.48

Standard Stock Item is Snap Together Type and Zinc Plated.